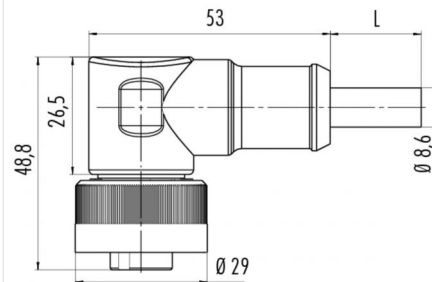


Product description **RD24 female angled connector, Contacts: 6+PE, Shielding is not possible, moulded on cable, IP67, PVC black, 7 x 0.75 mm²**
 Area **RD24 series 692**
 Order number **79 0238 20 07**

Illustration



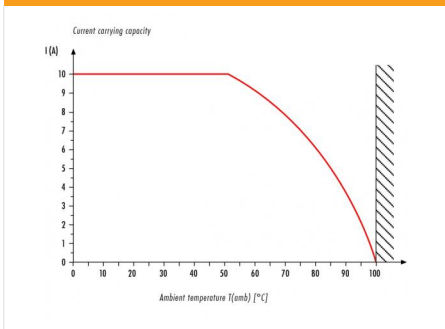
Scale drawing



Contact arrangement

| | X | Y | |
|----|-------|-------|-------------|
| 1 | 3,25 | -3,54 | 1 |
| 2 | 4,76 | 0,63 | 2 |
| 3 | 2,22 | 4,26 | 3 |
| 4 | -2,22 | 4,26 | 4 |
| 5 | -4,76 | 0,63 | 5 |
| 6 | -3,25 | -3,54 | 6 |
| PE | 0,00 | 0,50 | ⊕ grün/gelb |

Derating curve



You can find the component part drawing and assembly instructions on the next page.

Technical data

General values

Connector design female angled connector
 Connector locking system screw
 Termination moulded on cable
 Wire gauge (mm) 0.75 mm²
 Wire gauge (AWG) 18
 Upper limit temperature 80 °C
 Lower limit temperature - 25 °C
 Customs tariff number 85444290

Electrical values

Rated current (40 °C) 8 A
 Rated voltage 250 V
 Rated impulse voltage 4000 V
 Pollution degree 3
 Overvoltage category III
 Insulating material group III
 Insulation resistance $\geq 10^{10} \Omega$
 EMC compliance Shielding is not possible
 Degree of protection IP67
 Mechanical operation > 500 Mating cycles

Cable data

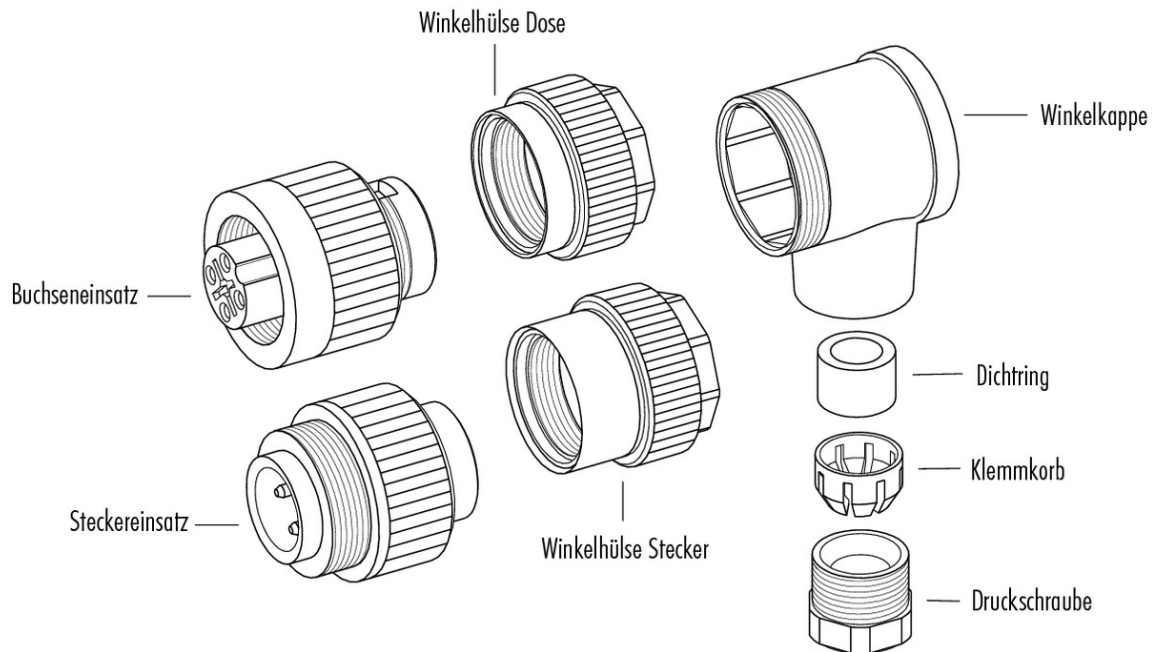
Cable length 2 m
 Sheath material PVC
 Single-lead insulation PVC sw 1, sw 2, sw 3, grün/gelb
 Single-lead structure 28x0,25 mm mm
 Conductor resistance -
 Bending radius, fixed cable 120 mm
 Bending radius, moving cable 60 mm

Material

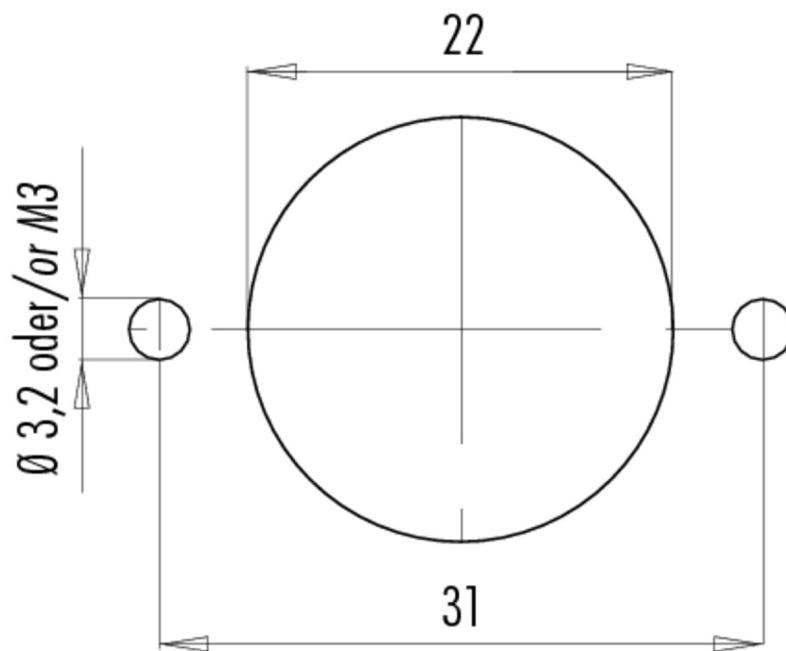
Contact material CuZn (brass)
 Contact plating Ag (silver)
 Contact body material PA 12

| | |
|---------------------|--|
| Product description | RD24 female angled connector, Contacts: 6+PE, Shielding is not possible, moulded on cable, IP67, PVC black, 7 x 0.75 mm² |
| Area | RD24 series 692 |
| Order number | 79 0238 20 07 |

Component part drawing



Assembly instructions / Panel cut-out



| | |
|---------------------|--|
| Product description | RD24 female angled connector, Contacts: 6+PE, Shielding is not possible, moulded on cable, IP67, PVC black, 7 x 0.75 mm² |
| Area | RD24 series 692 |
| Order number | 79 0238 20 07 |

Security notices

The connector must not be connected or separated under load. Non-observance and incorrect use can result in personal injury.

The connectors are designed for use in plant, control system and electrical equipment. The end user is responsible for checking whether the connectors are suitable for use in other applications.

Connectors used in electrical circuits containing hazardous life parts must only be assembled and used by or under the supervision of persons with the requisite electrotechnical training, taking the applicable regulations and standards into account.

Connectors with degree of protection IP 67 and IP 68 are not suitable for use under water. When used outdoors, the connectors must be separately protected against corrosion. For further information about IP degrees of protection refer to 'Technical support' in the Download Centre.

To lock the cable connector to the equipment connector, the threaded ring is tightened until it is 'finger-tight' (approx. 50 cNm).