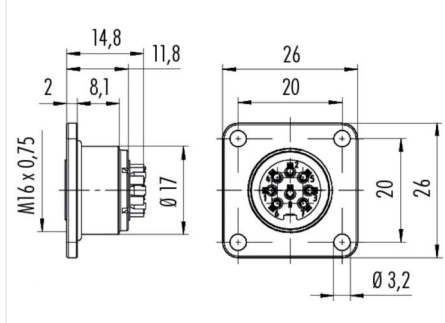


Product description	Contacts: 8 DIN, female panel mount connector, rectangular flange, crimp
Area	M16 IP67 Series 423/ 723/ 425
Order number	09 0174 370 08

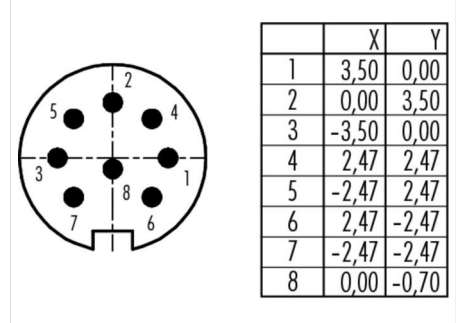
Illustration



Scale drawing



Contact arrangement



You can find the assembly instructions on the next page.

Technical data

General values

Connector design	Flanschdose
Connector locking system	schraub
Termination	crimpen (Crimpkontakte müssen separat bestellt werden)
Wire gauge (mm)	siehe Crimpkontakte unter Zubehör
Wire gauge (AWG)	-
Upper limit temperature	100 °C
Lower limit temperature	-40 °C

Electrical values

Rated voltage	60 V
Rated impulse voltage	500 V
Pollution degree	1
Overvoltage category	I
Insulating material group	III
Rated current (40 °C)	5 A
Volume resistivity	≤ 5 mΩ
EMC compliance	nicht schirmbar
Degree of protection	IP67
Mechanical operation	> 500 Steckzyklen

Cable data

Approval 1	UL
------------	----

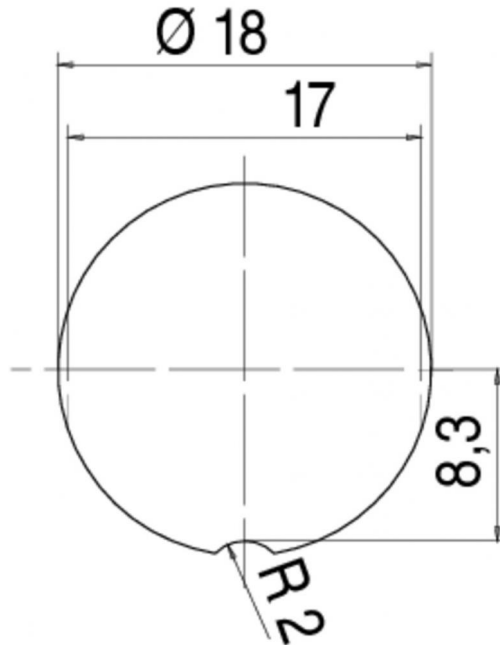
Material

Contact material	depending on crimp contact (accessory)
Contact body material	PBT (UL 94 V-0)

Product description **Contacts: 8 DIN, female panel mount connector, rectangular flange, crimp**

Area **M16 IP67 Series 423/ 723/ 425**
Order number **09 0174 370 08**

Assembly instructions / Panel cut-out



Product description **Contacts: 8 DIN, female panel mount connector, rectangular flange, crimp**

Area **M16 IP67 Series 423/ 723/ 425**
Order number **09 0174 370 08**

Sicherheitshinweise

The connectors are designed for use in plant, control system and electrical equipment. The end user is responsible for checking whether the connectors are suitable for use in other applications. Connectors with degree of protection IP 67 and IP 68 are not suitable for use under water. When used outdoors, the connectors must be separately protected against corrosion. For further information about IP degrees of protection refer to 'Technical support' in the Download Centre.