

Product description **Snap-In IP40 cable connector, Contacts: 4, 3.6 mm, Shielding is not possible, solder, IP40**  
 Area **Snap-In IP40 series 719**  
 Order number **09 9767 00 04**

| Illustration | Scale drawing | Contact arrangement   |  |   |   |   |      |       |   |      |      |   |       |      |   |       |       |
|--------------|---------------|---|--|---|---|---|------|-------|---|------|------|---|-------|------|---|-------|-------|
|              |               | <table border="1" style="margin-left: 20px;"> <thead> <tr> <th></th> <th>X</th> <th>Y</th> </tr> </thead> <tbody> <tr> <td>1</td> <td>1,06</td> <td>-1,06</td> </tr> <tr> <td>2</td> <td>1,06</td> <td>1,06</td> </tr> <tr> <td>3</td> <td>-1,06</td> <td>1,06</td> </tr> <tr> <td>4</td> <td>-1,06</td> <td>-1,06</td> </tr> </tbody> </table> |  | X | Y | 1 | 1,06 | -1,06 | 2 | 1,06 | 1,06 | 3 | -1,06 | 1,06 | 4 | -1,06 | -1,06 |
|              | X             | Y   |  |   |   |   |      |       |   |      |      |   |       |      |   |       |       |
| 1            | 1,06          | -1,06   |  |   |   |   |      |       |   |      |      |   |       |      |   |       |       |
| 2            | 1,06          | 1,06  |  |   |   |   |      |       |   |      |      |   |       |      |   |       |       |
| 3            | -1,06         | 1,06  |  |   |   |   |      |       |   |      |      |   |       |      |   |       |       |
| 4            | -1,06         | -1,06   |  |   |   |   |      |       |   |      |      |   |       |      |   |       |       |

You can find the component part drawing on the next page.

## Technical data

### General values

|                          |                      |
|--------------------------|----------------------|
| Connector design         | cable connector      |
| Connector locking system | snap                 |
| Termination              | solder               |
| Wire gauge (mm)          | 0.25 mm <sup>2</sup> |
| Wire gauge (AWG)         | 24                   |
| Cable outlet             | 3.6 mm               |
| Upper limit temperature  | 70 °C                |
| Lower limit temperature  | - 25 °C              |
| Customs tariff number    | 85369010             |

### Electrical values

|                           |                           |
|---------------------------|---------------------------|
| Rated current (40 °C)     | 3 A                       |
| Rated voltage             | 60 V                      |
| Rated impulse voltage     | 800 V                     |
| Pollution degree          | 1                         |
| Overvoltage category      | II                        |
| Insulating material group | III                       |
| Insulation resistance     | ≥ 10 <sup>10</sup> Ω      |
| EMC compliance            | Shielding is not possible |
| Degree of protection      | IP40                      |
| Mechanical operation      | > 100 Mating cycles       |

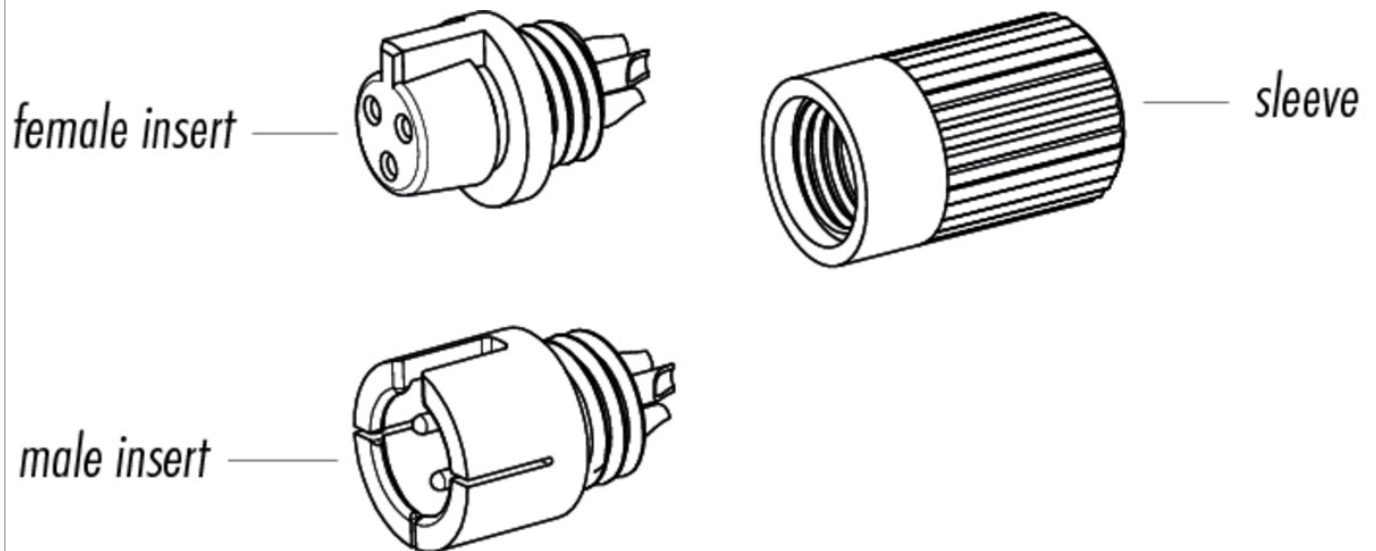
### Material

|                       |              |
|-----------------------|--------------|
| Contact material      | CuZn (brass) |
| Contact plating       | Au (gold)    |
| Contact body material | PA           |
| Housing material      | PA           |

Product description **Snap-In IP40 cable connector, Contacts: 4, 3.6 mm, Shielding is not possible, solder, IP40**

Area **Snap-In IP40 series 719**  
Order number **09 9767 00 04**

### Component part drawing



|                     |   |
|---------------------|---|
| Product description | <b>Snap-In IP40 cable connector, Contacts: 4, 3.6 mm, Shielding is not possible, solder, IP40</b> |
| Area                | <b>Snap-In IP40 series 719</b>  |
| Order number        | <b>09 9767 00 04</b>  |

## Security notices

The connectors are designed for use in plant, control system and electrical equipment. The end user is responsible for checking whether the connectors are suitable for use in other applications.