

|                     |  |
|---------------------|--|
| Product description | <b>Contacts: 3 DIN, male panel mount connector</b> |
| Area                | <b>Bayonet IP40 Series 678</b>                     |
| Order number        | <b>99 0607 00 03</b>                               |

| Illustration | Scale drawing | Contact arrangement  |  |   |   |   |      |      |   |      |      |   |       |      |
|--------------|---------------|--|--|---|---|---|------|------|---|------|------|---|-------|------|
|              |               | <table border="1" style="margin-left: 20px;"> <thead> <tr> <th></th> <th>X</th> <th>Y</th> </tr> </thead> <tbody> <tr> <td>1</td> <td>3,50</td> <td>0,00</td> </tr> <tr> <td>2</td> <td>0,00</td> <td>3,50</td> </tr> <tr> <td>3</td> <td>-3,50</td> <td>0,00</td> </tr> </tbody> </table> |  | X | Y | 1 | 3,50 | 0,00 | 2 | 0,00 | 3,50 | 3 | -3,50 | 0,00 |
|              | X             | Y  |  |   |   |   |      |      |   |      |      |   |       |      |
| 1            | 3,50          | 0,00   |  |   |   |   |      |      |   |      |      |   |       |      |
| 2            | 0,00          | 3,50   |  |   |   |   |      |      |   |      |      |   |       |      |
| 3            | -3,50         | 0,00   |  |   |   |   |      |      |   |      |      |   |       |      |

**You can find the assembly instructions on the next page.**

## Technical data

### General values

|                          |                            |
|--------------------------|----------------------------|
| Connector design         | male panel mount connector |
| Connector locking system | Bayonet                    |
| Termination              | solder                     |
| Wire gauge (mm)          | 0,75 mm <sup>2</sup>       |
| Wire gauge (AWG)         | 20                         |
| Upper limit temperature  | 85 °C                      |
| Lower limit temperature  | -40 °C                     |

### Electrical values

|                           |                           |
|---------------------------|---------------------------|
| Rated current (40 °C)     | 7 A                       |
| Rated voltage             | 250 V                     |
| Rated impulse voltage     | 1500 V                    |
| Pollution degree          | 1                         |
| Overvoltage category      | I                         |
| Insulating material group | III                       |
| Volume resistivity        | ≤ 5 mΩ                    |
| Insulation resistance     | ≥ 10 <sup>10</sup> Ω      |
| EMC compliance            | Shielding is not possible |
| Degree of protection      | IP40                      |
| Mechanical operation      | > 500 Mating cycles       |

### Material

|                       |                 |
|-----------------------|-----------------|
| Contact material      | CuZn (brass)    |
| Contact plating       | Ag (silver)     |
| Contact body material | PBT (UL 94 V-0) |
| Housing material      | PA              |

Product description

Contacts: 3 DIN, male panel mount connector

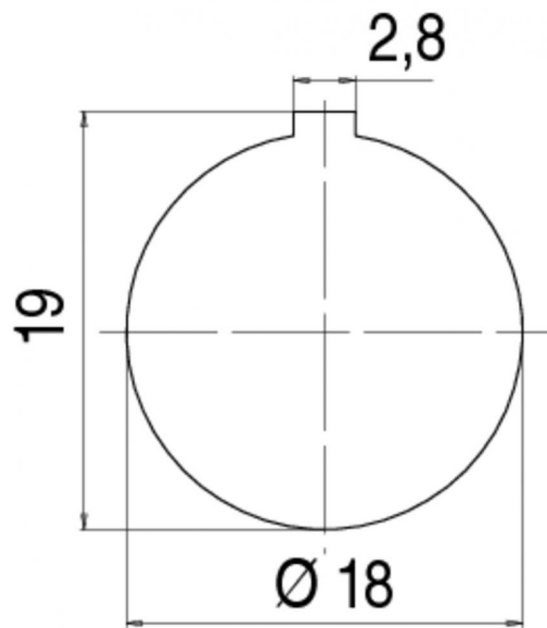
Area

Bayonet IP40 Series 678

Order number

99 0607 00 03

Assembly instructions / Panel cut-out



Product description **Contacts: 3 DIN, male panel mount connector**

Area **Bayonet IP40 Series 678**  
Order number **99 0607 00 03**

## Security notices

The connector must not be connected or separated under load. Non-observance and incorrect use can result in personal injury.

The connectors are designed for use in plant, control system and electrical equipment. The end user is responsible for checking whether the connectors are suitable for use in other applications.

The connector is not suitable for mains voltages. Please observe the pollution degrees and the overvoltage category. For further information refer to 'Technical support' in the Download Centre.