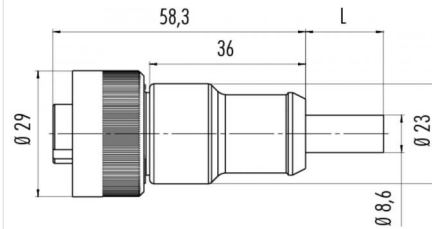


Product description **RD24 female cable connector, Contacts: 3+PE, Shielding is not possible, moulded on cable, IP67, PVC black, 4 x 1.50 mm²**
 Area **RD24 series 692**
 Order number **79 0232 20 04**

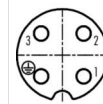
Illustration



Scale drawing

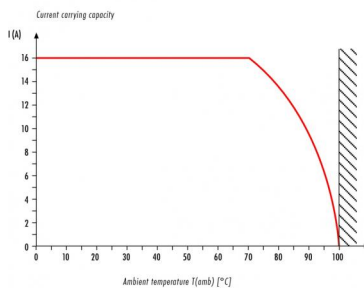


Contact arrangement



	X	Y	
1	3,18	-3,18	1
2	3,18	3,18	2
3	-3,18	3,18	3
PE	-3,18	-3,18	⊕ grün/gelb

Derating curve



You can find the component part drawing and assembly instructions on the next page.

Technical data

General values

Connector design female cable connector
 Connector locking system screw
 Termination moulded on cable
 Wire gauge (mm) 1.50 mm²
 Wire gauge (AWG) 16
 Upper limit temperature 80 °C
 Lower limit temperature - 25 °C
 Customs tariff number 85444290

Cable data

Cable length 2 m
 Sheath material PVC
 Single-lead insulation PVC sw 1, sw 2, sw 3, grün/gelb
 Single-lead structure 28x0,25 mm mm
 Conductor resistance -
 Bending radius, fixed cable 120 mm
 Bending radius, moving cable 60 mm

Electrical values

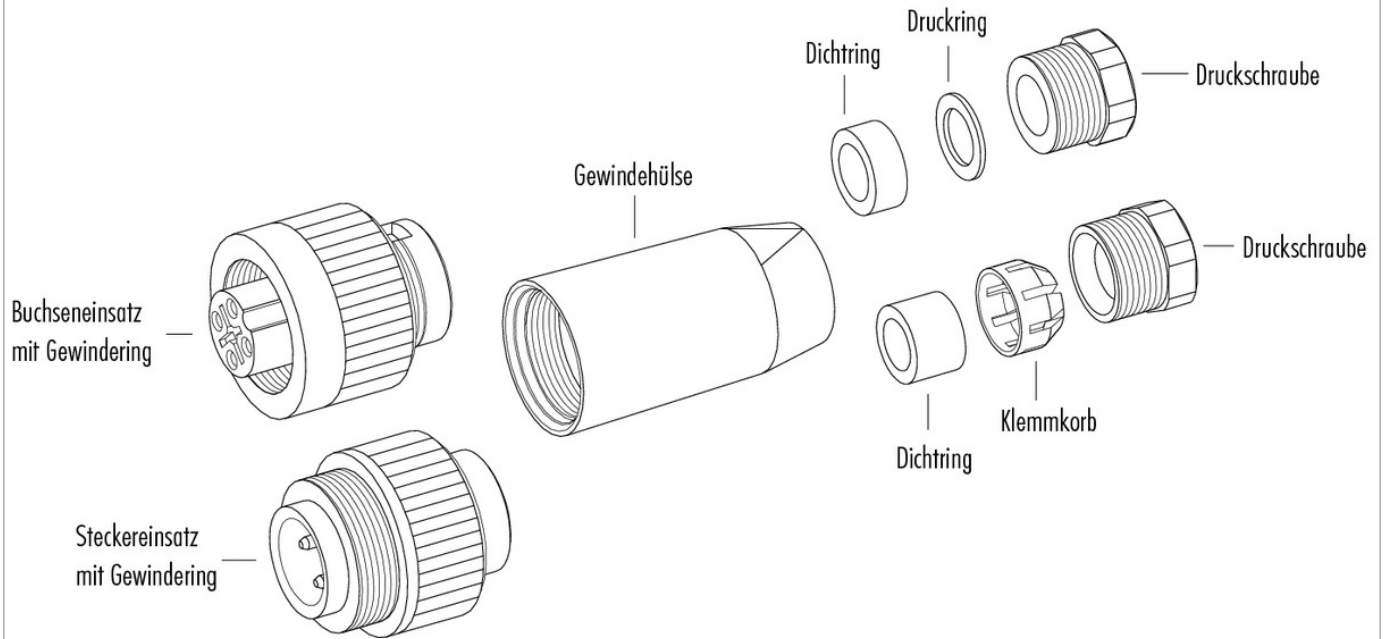
Rated current (40 °C) 16 A
 Rated voltage 400 V
 Rated impulse voltage 6000 V
 Pollution degree 3
 Overvoltage category III
 Insulating material group III
 Insulation resistance $\geq 10^{10} \Omega$
 EMC compliance Shielding is not possible
 Degree of protection IP67
 Mechanical operation > 500 Mating cycles

Material

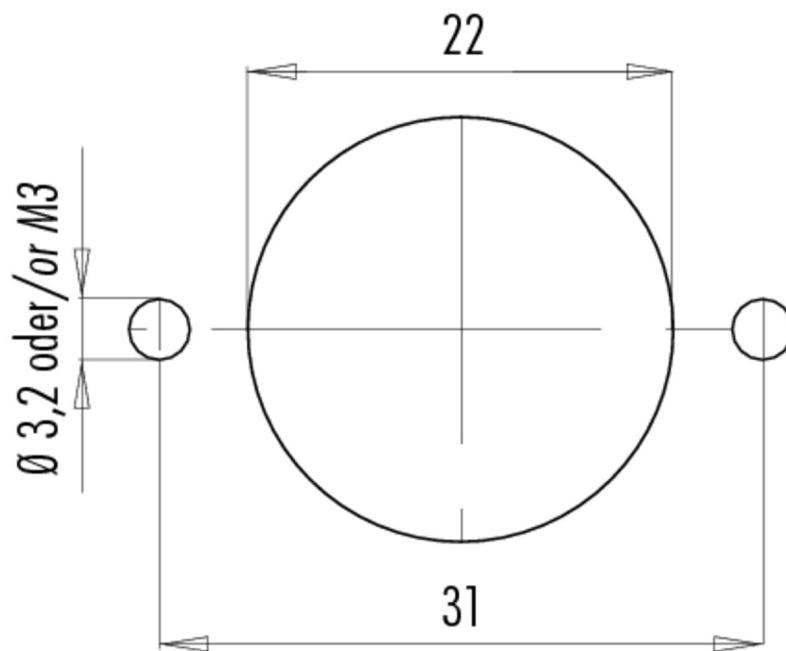
Contact material CuZn (brass)
 Contact plating Ag (silver)
 Contact body material PA 12

Product description	RD24 female cable connector, Contacts: 3+PE, Shielding is not possible, moulded on cable, IP67, PVC black, 4 x 1.50 mm ²
Area	RD24 series 692
Order number	79 0232 20 04

Component part drawing



Assembly instructions / Panel cut-out



Product description	RD24 female cable connector, Contacts: 3+PE, Shielding is not possible, moulded on cable, IP67, PVC black, 4 x 1.50 mm²
Area	RD24 series 692
Order number	79 0232 20 04

Security notices

The connector must not be connected or separated under load. Non-observance and incorrect use can result in personal injury.

The connectors are designed for use in plant, control system and electrical equipment. The end user is responsible for checking whether the connectors are suitable for use in other applications.

Connectors with degree of protection IP 67 and IP 68 are not suitable for use under water. When used outdoors, the connectors must be separately protected against corrosion. For further information about IP degrees of protection refer to 'Technical support' in the Download Centre.

To lock the cable connector to the equipment connector, the threaded ring is tightened until it is 'finger-tight' (approx. 50 cNm).