

Product description **Bayonet female cable connector, Contacts: 12, 6.0 - 8.0 mm, Shielding is not possible, solder, IP40**

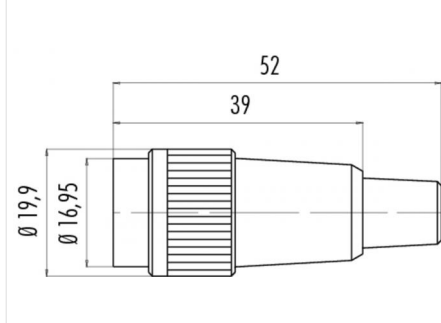
Area **Bayonet series 678**

Order number **99 0650 02 12**

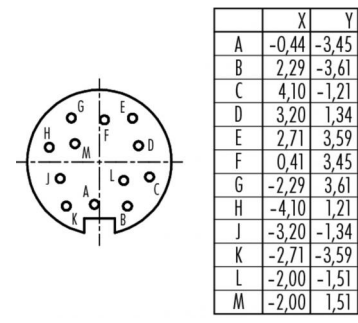
Illustration



Scale drawing



Contact arrangement



You can find the component part drawing on the next page.

Technical data

General values

Connector design female cable connector

Connector locking system Bayonet

Termination solder

Wire gauge (mm) 0.25 mm²

Wire gauge (AWG) 24

Cable outlet 6.0 - 8.0 mm

Upper limit temperature 85 °C

Lower limit temperature -40 °C

Customs tariff number 85369010

Electrical values

Rated current (40 °C) 3 A

Rated voltage 60 V

Rated impulse voltage 500 V

Pollution degree 1

Overvoltage category I

Insulating material group III

Insulation resistance $\geq 10^{10} \Omega$

EMC compliance Shielding is not possible

Degree of protection IP40

Mechanical operation > 500 Mating cycles

Material

Contact material CuSn (bronze)

Contact plating Au (gold)

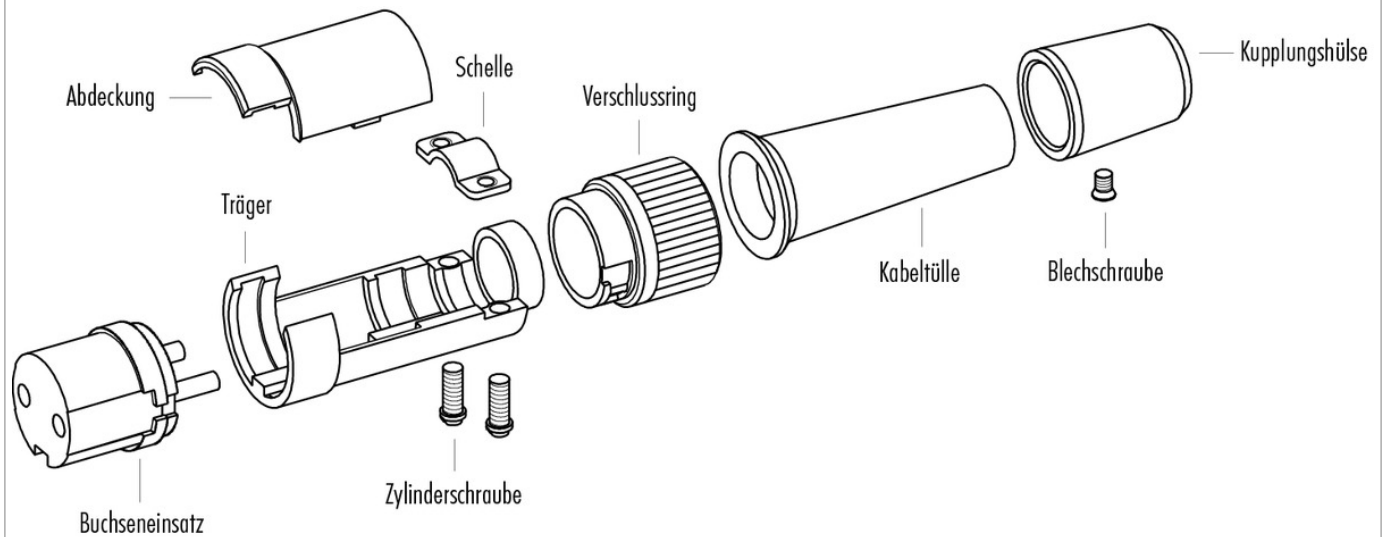
Contact body material PBT (UL 94 V-0)

Housing material PA

Product description **Bayonet female cable connector, Contacts: 12, 6.0 - 8.0 mm, Shielding is not possible, solder, IP40**

Area **Bayonet series 678**
Order number **99 0650 02 12**

Component part drawing



Product description	Bayonet female cable connector, Contacts: 12, 6.0 - 8.0 mm, Shielding is not possible, solder, IP40
Area	Bayonet series 678
Order number	99 0650 02 12

Security notices

The connectors are designed for use in plant, control system and electrical equipment. The end user is responsible for checking whether the connectors are suitable for use in other applications.