

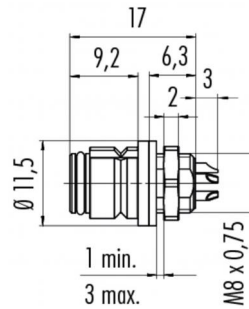
Product description **Contacts: 5, female panel mount connector, green**

Area **Snap-in IP67 Series 620**  
Order number **99 9216 070 05**

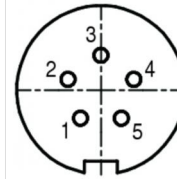
### Illustration



### Scale drawing



### Contact arrangement



	X	Y
1	-1,23	-1,70
2	-2,00	0,65
3	0,00	2,10
4	2,00	0,65
5	1,23	-1,70

You can find the component part drawing and assembly instructions on the next page.

## Technical data

### General values

Connector design	Flanschdose
Connector locking system	schnapp
Termination	löten
Wire gauge (mm)	0,25 mm <sup>2</sup>
Wire gauge (AWG)	24
Upper limit temperature	85 °C
Lower limit temperature	-25 °C

### Electrical values

Rated voltage	63 V
Rated impulse voltage	800 V
Pollution degree	2
Overvoltage category	II
Insulating material group	II
Rated current (40 °C)	2 A
Volume resistivity	≤ 3 mΩ
EMC compliance	nicht schirmbar
Degree of protection	IP67
Mechanical operation	> 500 Steckzyklen

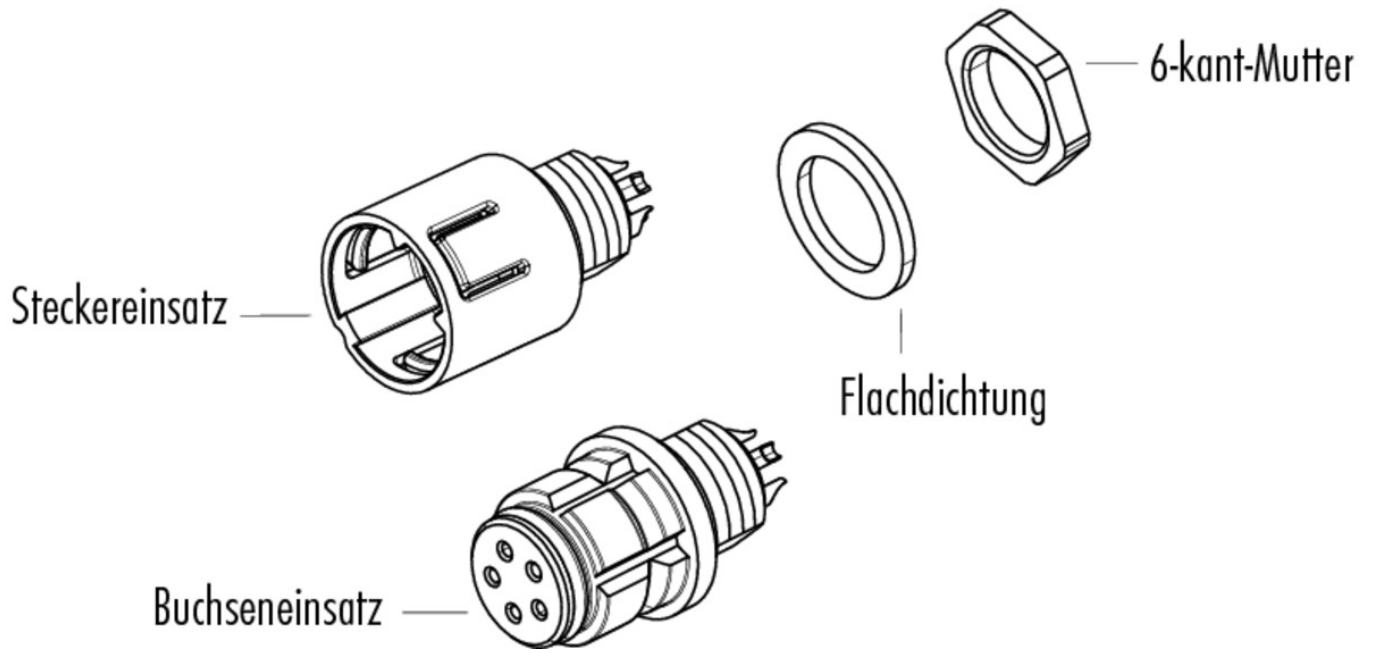
### Material

Contact material	CuSn (bronze)
Contact plating	Au (Gold)
Contact body material	PA (UL 94 V-0)

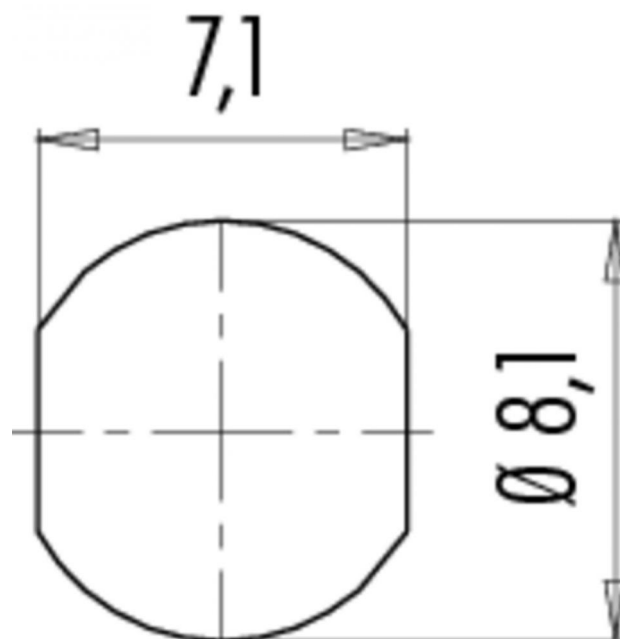
Product description      **Contacts: 5, female panel mount connector, green**

Area                              **Snap-in IP67 Series 620**  
Order number                **99 9216 070 05**

### Component part drawing



### Assembly instructions / Panel cut-out



Product description **Contacts: 5, female panel mount connector, green**

Area **Snap-in IP67 Series 620**  
Order number **99 9216 070 05**

## Sicherheitshinweise

The connectors are designed for use in plant, control system and electrical equipment. The end user is responsible for checking whether the connectors are suitable for use in other applications. Connectors with degree of protection IP 67 and IP 68 are not suitable for use under water. When used outdoors, the connectors must be separately protected against corrosion. For further information about IP degrees of protection refer to 'Technical support' in the Download Centre.