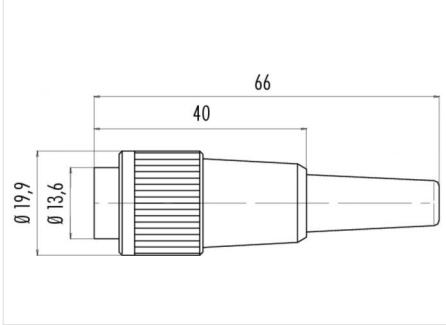


| | |
|---------------------|--|
| Product description | Contacts: 19, cable plug connector, cable outlet 4 - 6 mm |
| Area | Bayonet IP40 Series 678 |
| Order number | 99 0665 00 19 |

Illustration



Scale drawing



Contact arrangement

| | X | Y |
|---|-------|-------|
| A | -2,50 | -4,00 |
| B | -4,00 | -2,25 |
| C | -4,25 | 0,00 |
| D | -4,00 | 2,40 |
| E | -2,30 | 4,00 |
| F | 0,00 | 4,25 |
| G | 2,30 | 4,00 |
| H | 4,00 | 2,40 |
| I | 4,25 | 0,00 |
| K | 4,00 | -2,25 |
| L | 2,50 | -4,00 |
| M | -0,95 | -2,40 |
| N | -2,40 | -0,95 |
| O | -2,40 | 0,95 |
| P | -0,95 | 2,40 |
| R | 0,95 | 2,40 |
| S | 2,40 | 0,95 |
| T | 2,40 | -0,95 |
| U | 0,95 | -2,40 |

You can find the component part drawing on the next page.

Technical data

General values

| | |
|--------------------------|----------------------|
| Connector design | cable connector |
| Connector locking system | Bayonet |
| Termination | löten |
| Wire gauge (mm) | 0,25 mm ² |
| Wire gauge (AWG) | 24 |
| Cable outlet | 4,0 - 6,0 mm |
| Upper limit temperature | 85 °C |
| Lower limit temperature | -40 °C |

Electrical values

| | |
|---------------------------|---------------------------|
| Rated voltage | 60 V |
| Rated impulse voltage | 500 V |
| Pollution degree | 1 |
| Overvoltage category | I |
| Insulating material group | III |
| Rated current (40 °C) | 3 A |
| Volume resistivity | ≤ 3 mΩ |
| EMC compliance | Shielding is not possible |
| Degree of protection | IP40 |
| Mechanical operation | > 500 Mating cycles |

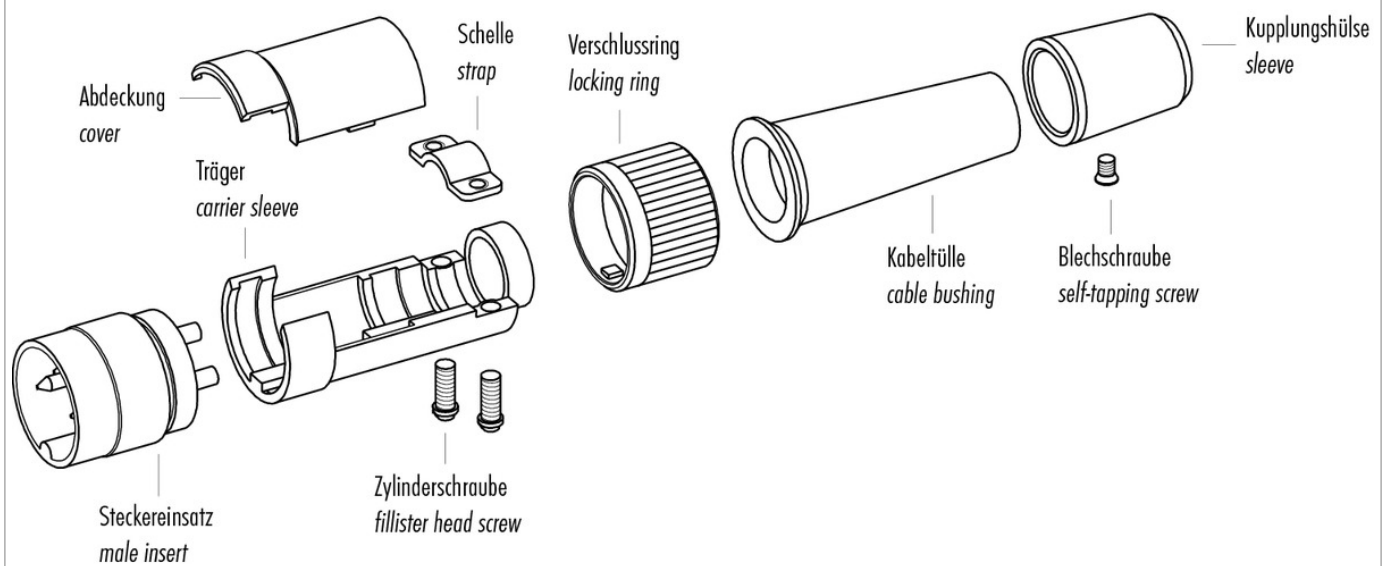
Material

| | |
|-----------------------|-----------------|
| Contact material | CuZn (brass) |
| Contact plating | Au (gold) |
| Contact body material | PBT (UL 94 V-0) |

Product description **Contacts: 19, cable plug connector, cable outlet 4 - 6 mm**

Area **Bayonet IP40 Series 678**
Order number **99 0665 00 19**

Component part drawing



Product description **Contacts: 19, cable plug connector, cable outlet 4 - 6 mm**

Area **Bayonet IP40 Series 678**
Order number **99 0665 00 19**

Sicherheitshinweise

The connectors are designed for use in plant, control system and electrical equipment. The end user is responsible for checking whether the connectors are suitable for use in other applications.