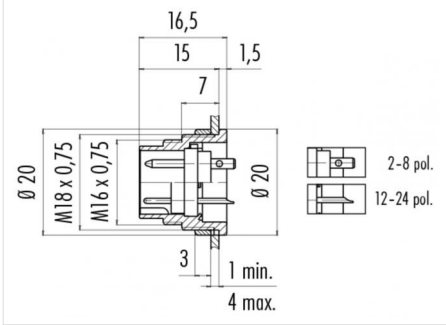


Product description	<b>Contacts: 2, male panel mount connector, solder, screwed from front, gold plated contacts</b>
Area	<b>M16 IP40 Series 581/ 680/ 682</b>
Order number	<b>09 0303 89 02</b>

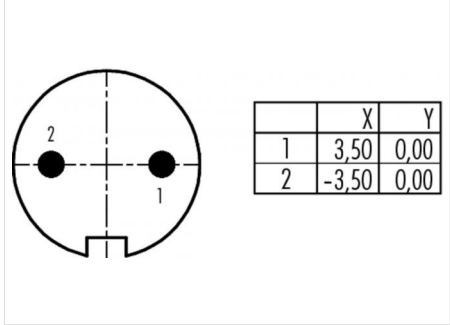
**Illustration**



**Scale drawing**



**Contact arrangement**



You can find the assembly instructions on the next page.

**Technical data**

**General values**

Connector design	Flanschstecker
Connector locking system	schraub
Termination	löten
Wire gauge (mm)	0,75 mm <sup>2</sup>
Wire gauge (AWG)	20
Upper limit temperature	85 °C
Lower limit temperature	-40 °C

**Electrical values**

Rated voltage	250 V
Rated impulse voltage	1500 V
Pollution degree	1
Overvoltage category	I
Insulating material group	III
Rated current (40 °C)	7 A
Volume resistivity	≤ 3 mΩ
EMC compliance	nicht schirmbar
Degree of protection	IP40
Mechanical operation	> 500 Steckzyklen

**Material**

Contact material	CuZn (brass)
Contact plating	Au (Gold)
Contact body material	PBT (UL 94 V-0)

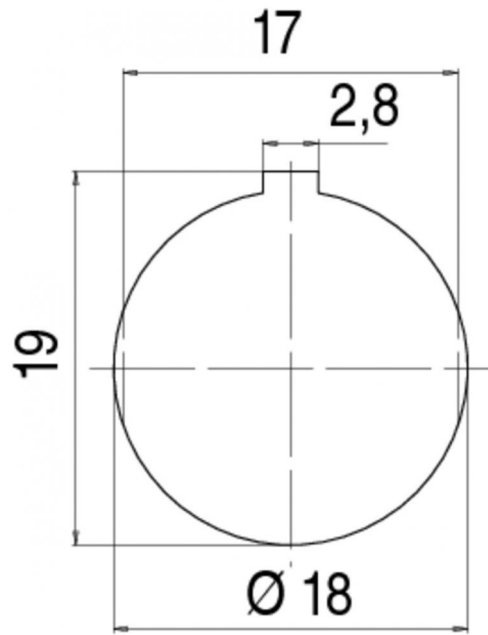
Product description

Contacts: 2, male panel mount connector, solder, screwed from front, gold plated contacts

Area  
Order number

M16 IP40 Series 581/ 680/ 682  
09 0303 89 02

Assembly instructions / Panel cut-out



Product description	<b>Contacts: 2, male panel mount connector, solder, screwed from front, gold plated contacts</b>
Area	<b>M16 IP40 Series 581/ 680/ 682</b>
Order number	<b>09 0303 89 02</b>

## Sicherheitshinweise

The connector must not be connected or separated under load. Non-observance and incorrect use can result in personal injury.

The connectors are designed for use in plant, control system and electrical equipment. The end user is responsible for checking whether the connectors are suitable for use in other applications.

To prevent the connector being opened unintentionally when used in electrical circuits containing hazardous life parts, the thread between the housing and the connector head must be secured using a suitable cyanoacrylate adhesive. This does not apply to connectors used in SELV and PELV circuits according to IEC 61140 (EN 61140, VDE 0140-1).

The connector is not suitable for mains voltages. Please observe the pollution degrees and the overvoltage category. For further information refer to 'Technical support' in the Download Centre.