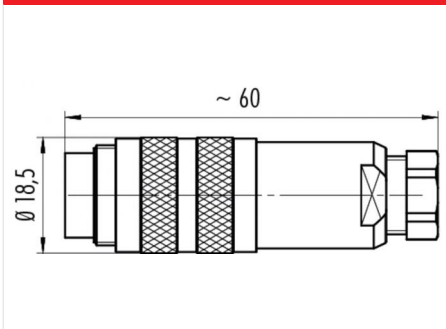


Product description	Contacts: 5 Stereo, cable plug connector with shielding ring, shieldable, cable outlet 4- 6 mm, gold plated contacts, UL approval
Area	M16 IP67 Series 423
Order number	99 5117 19 05

Illustration



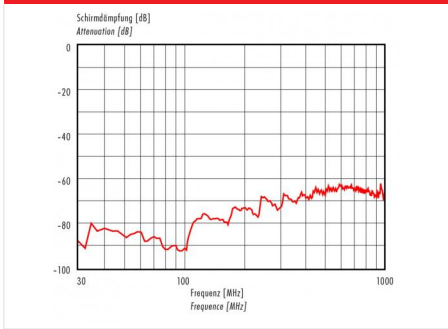
Scale drawing



Contact arrangement

	X	Y
1	3,50	0,00
2	0,00	3,50
3	-3,50	0,00
4	2,47	2,47
5	-2,47	2,47

Attenuation characteristics



You can find the component part drawing and assembly instructions on the next page.

Technical data

General values

Connector design	Kabelstecker
Connector locking system	schraub
Termination	löten
Wire gauge (mm)	0,75 mm ²
Wire gauge (AWG)	20
Cable outlet	4,0 - 6,0 mm
Upper limit temperature	95 °C
Lower limit temperature	-30 °C

Cable data

Approval 1	UL
------------	----

Electrical values

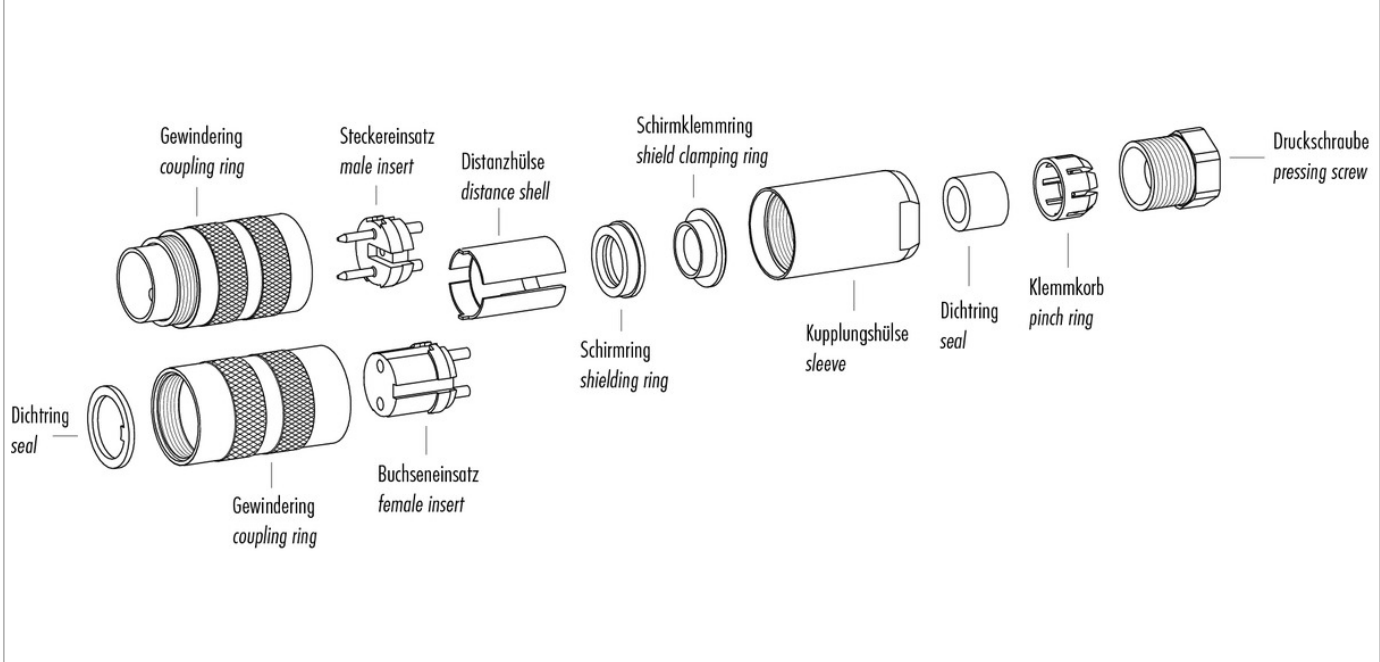
Rated voltage	60 V
Rated impulse voltage	500 V
Pollution degree	1
Overvoltage category	I
Insulating material group	III
Rated current (40 °C)	6 A
Volume resistivity	≤ 3 mΩ
EMC compliance	schirmbar
Degree of protection	IP67
Mechanical operation	> 500 Steckzyklen

Material

Contact material	CuZn (brass)
Contact plating	Au (Gold)
Contact body material	PBT (UL 94 V-0)

Product description	Contacts: 5 Stereo, cable plug connector with shielding ring, shieldable, cable outlet 4- 6 mm, gold plated contacts, UL approval
Area	M16 IP67 Series 423
Order number	99 5117 19 05

Component part drawing



Assembly instructions / Panel cut-out

Gerade Version

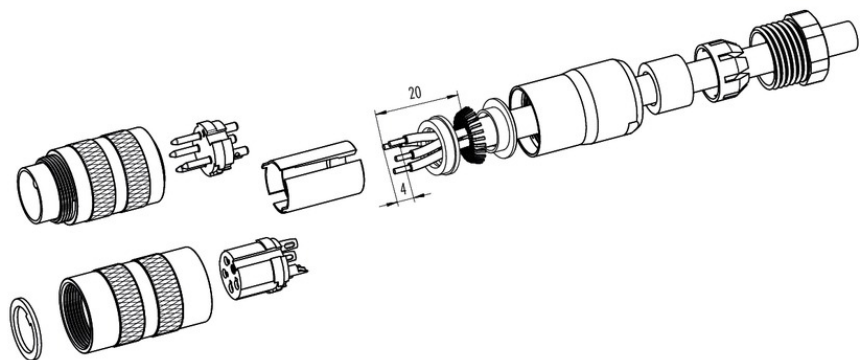
(Ausführung mit Schirmklemmring)

1. Druckschraube, Klemmkorb, Dichtung, Distanzhülse und ersten Schirmklemmring auffädeln.
2. Litzen abisolieren, Schirm aufweiten und zweiten Schirmklemmring auffädeln.
3. Litzen anlöten, Distanzhülse montieren, die beiden Klemmringe mit dem Schirm zusammenschieben und überstehenden Schirm abschneiden.
4. Übrige Teile gemäß Darstellung montieren.

Straight version

(Version with shield clamping ring)

1. Bead pressing screw, pinch ring, seal, distance shell and first shield clamping ring on cable.
2. Strip wires, widen shield and bead second shield clamping ring.
3. Solder wires, snap distance shell, push the two shield clamping rings together and cut off projecting shielding braid.
4. Assemble remaining parts according to picture.



Product description	Contacts: 5 Stereo, cable plug connector with shielding ring, shieldable, cable outlet 4- 6 mm, gold plated contacts, UL approval
Area	M16 IP67 Series 423
Order number	99 5117 19 05

Sicherheitshinweise

The connectors are designed for use in plant, control system and electrical equipment. The end user is responsible for checking whether the connectors are suitable for use in other applications.

Connectors with degree of protection IP 67 and IP 68 are not suitable for use under water. When used outdoors, the connectors must be separately protected against corrosion. For further information about IP degrees of protection refer to 'Technical support' in the Download Centre.

To lock the cable connector to the equipment connector, the threaded ring is tightened until it is 'finger-tight' (approx. 50 cNm).