

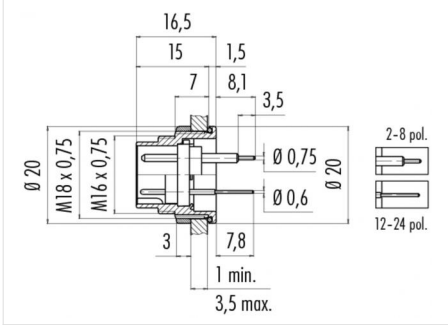
Product description **Contacts: 8 DIN, male panel mount connector, dip-solder, screwed from the front, gold plated contacts, UL approval**

Area **M16 IP67 Series 423/ 723/ 425**  
 Order number **09 0173 99 08**

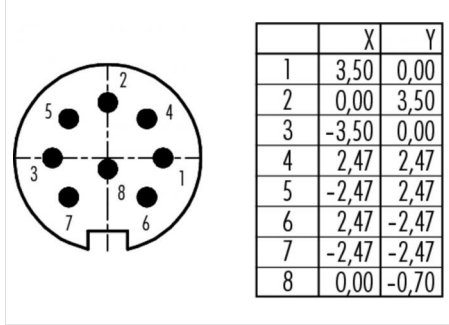
**Illustration**



**Scale drawing**



**Contact arrangement**



You can find the assembly instructions on the next page.

**Technical data**

**General values**

Connector design Flanschstecker  
 Connector locking system schraub  
 Termination tauchlöten  
 Wire gauge (mm) -  
 Wire gauge (AWG) -  
 Upper limit temperature 95 °C  
 Lower limit temperature -40 °C

**Cable data**

Approval 1 UL

**Electrical values**

Rated voltage 60 V  
 Rated impulse voltage 500 V  
 Pollution degree 1  
 Overvoltage category I  
 Insulating material group III  
 Rated current (40 °C) 5 A  
 Volume resistivity ≤ 3 mΩ  
 EMC compliance nicht schirmbar  
 Degree of protection IP67  
 Mechanical operation > 500 Steckzyklen

**Material**

Contact material CuZn (brass)  
 Contact plating Au (Gold)  
 Contact body material PBT (UL 94 V-0)

Product description

Contacts: 8 DIN, male panel mount connector, dip-solder, screwed from the front, gold plated contacts, UL approval

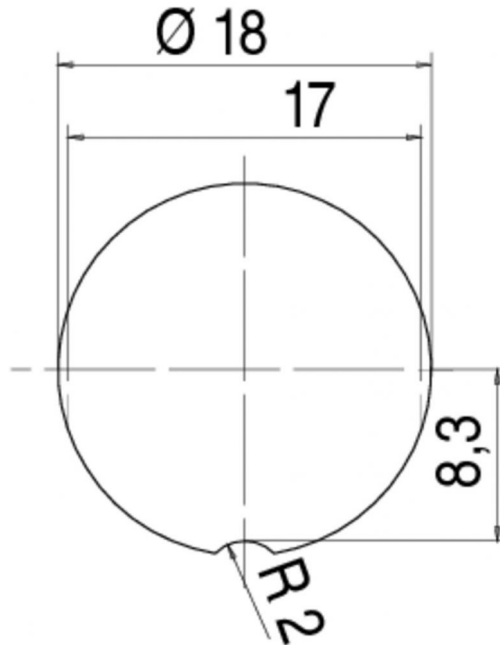
Area

M16 IP67 Series 423/ 723/ 425

Order number

09 0173 99 08

Assembly instructions / Panel cut-out



Product description	<b>Contacts: 8 DIN, male panel mount connector, dip-solder, screwed from the front, gold plated contacts, UL approval</b>
Area	<b>M16 IP67 Series 423/ 723/ 425</b>
Order number	<b>09 0173 99 08</b>

## Sicherheitshinweise

The connectors are designed for use in plant, control system and electrical equipment. The end user is responsible for checking whether the connectors are suitable for use in other applications. Connectors with degree of protection IP 67 and IP 68 are not suitable for use under water. When used outdoors, the connectors must be separately protected against corrosion. For further information about IP degrees of protection refer to 'Technical support' in the Download Centre.