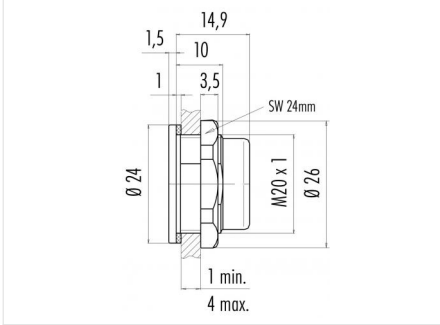


Product description	Snap-In IP67 adapter, unshielded, VDE
Area	Snap-In IP67 series 720
Order number	08 2433 000 001

Illustration



Scale drawing



You can find the component part drawing and assembly instructions on the next page.

Technical data

General features

Order number	08 2433 000 001
Connector design	adapter
Version	adapter
Temperature range from/to	-25 °C / 85 °C
Weight (g)	7.476
Customs tariff number	85366990

Electrical parameters

Pollution degree	2
EMC compliance	unshielded

Material

Housing material	PA
REACH SVHC	CAS 7439-92-1 (Lead)

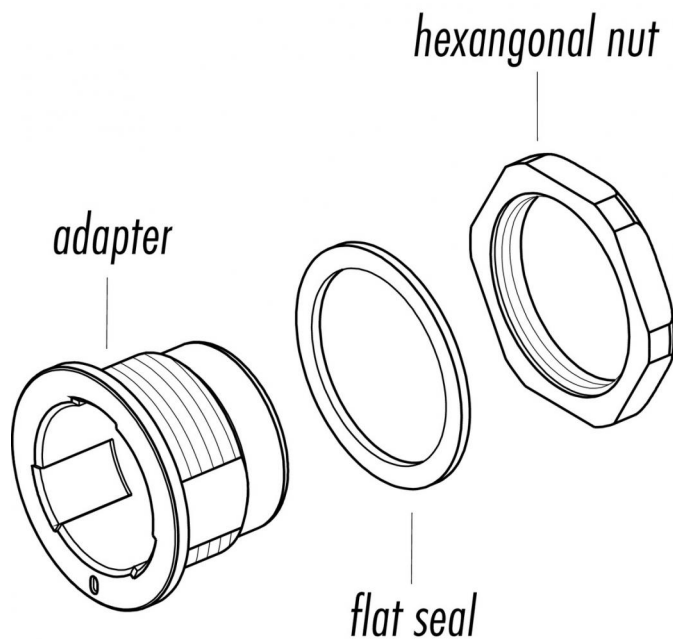
Classifications

eCl@ss 11.1	27-44-02-08
ETIM 7.0	EC002314

Product description Snap-In IP67 adapter, unshielded, VDE

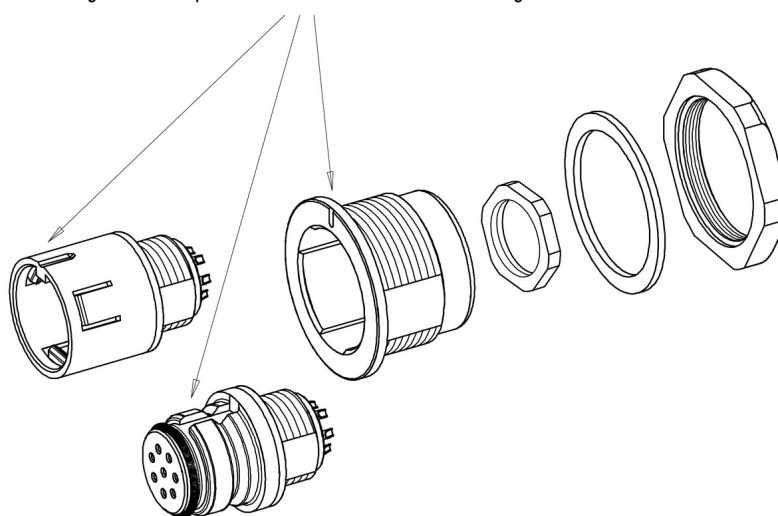
Area Snap-In IP67 series 720
Order number 08 2433 000 001

Component part drawing



Assembly instructions / Panel cut-out

The marking of the adapter must be conform with the coding nut of the insert

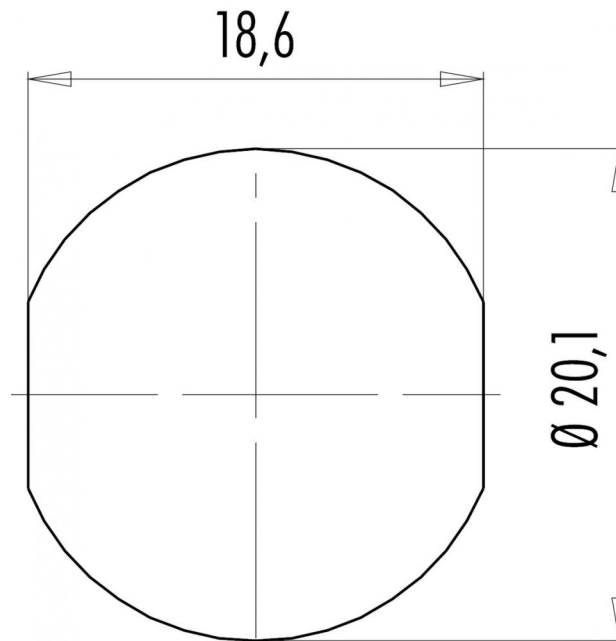


Inserts have to be ordered separately

Product description Snap-In IP67 adapter, unshielded, VDE

Area Snap-In IP67 series 720
Order number 08 2433 000 001

Assembly instructions / Panel cut-out



Product description **Snap-In IP67 adapter, unshielded, VDE**

Area **Snap-In IP67 series 720**
Order number **08 2433 000 001**

Security notices

The connector must not be plugged or unplugged under load. Non-observance and improper use can result in personal injury.

The connectors have been developed for applications in plant engineering, control and electrical equipment construction. The user is responsible for checking whether the connectors can also be used in other areas of application.