

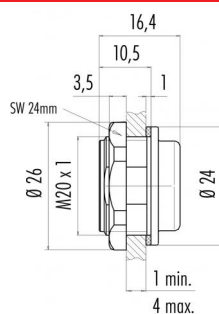
Product description Snap-In IP67 adapter, unshielded, VDE, front mounting

Area Snap-In IP67 series 720  
Order number 08 2434 000 001

### Illustration



### Scale drawing



You can find the component part drawing and assembly instructions on the next page.

## Technical data

### General features

Order number	08 2434 000 001
Connector design	adapter
Version	adapter
Temperature range from/to	-25 °C / 85 °C
Weight (g)	7.422
Customs tariff number	85366990

### Electrical parameters

Pollution degree	2
EMC compliance	unshielded

### Material

Housing material	PA
REACH SVHC	CAS 7439-92-1 (Lead)

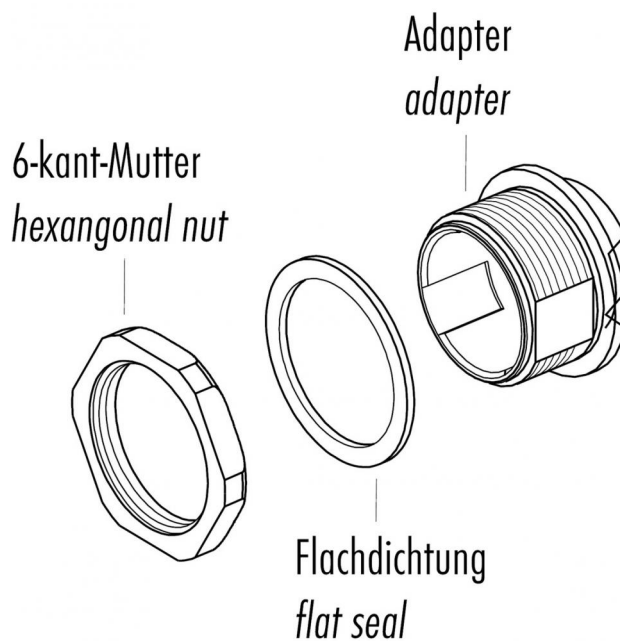
### Classifications

eCl@ss 11.1	27-44-02-08
ETIM 7.0	EC002314

Product description Snap-In IP67 adapter, unshielded, VDE, front mounting

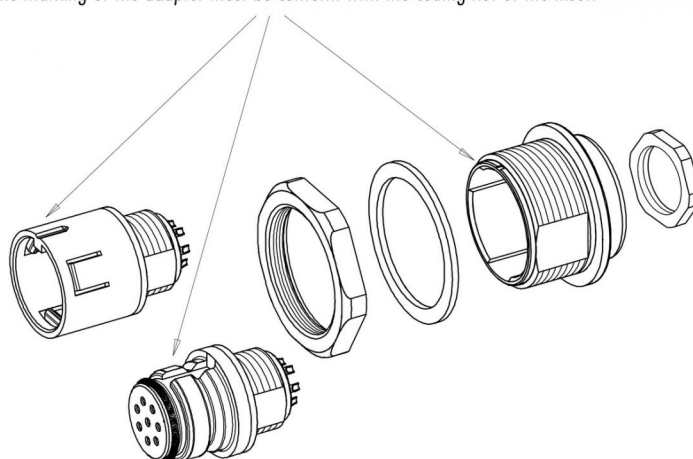
Area Snap-In IP67 series 720  
Order number 08 2434 000 001

### Component part drawing



### Assembly instructions / Panel cut-out

Die Markierung des Adapters muss mit der Kodiernase des Einsatzes übereinstimmen  
The marking of the adapter must be conform with the coding nut of the insert

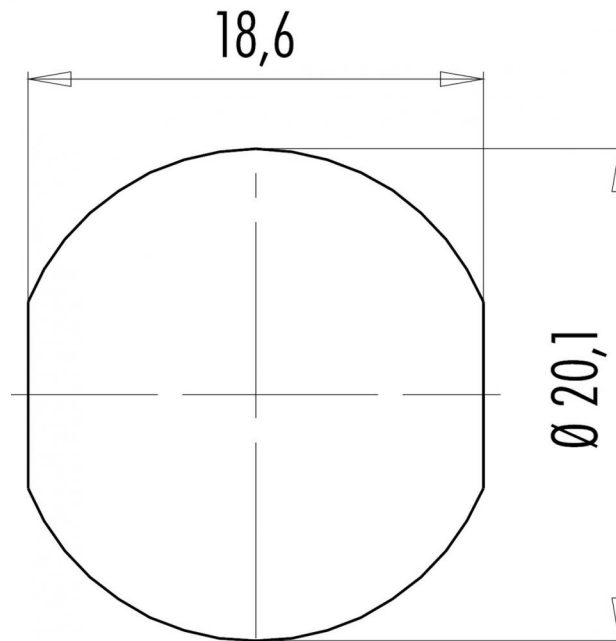


Einsätze müssen separat bestellt werden  
Inserts have to be ordered separately

Product description Snap-In IP67 adapter, unshielded, VDE, front mounting

Area Snap-In IP67 series 720  
Order number 08 2434 000 001

Assembly instructions / Panel cut-out



Product description      **Snap-In IP67 adapter, unshielded, VDE, front mounting**

Area                              **Snap-In IP67 series 720**  
Order number                **08 2434 000 001**

## Security notices

The connector must not be plugged or unplugged under load. Non-observance and improper use can result in personal injury.

The connectors have been developed for applications in plant engineering, control and electrical equipment construction. The user is responsible for checking whether the connectors can also be used in other areas of application.