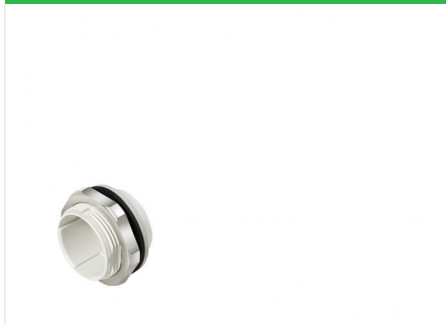
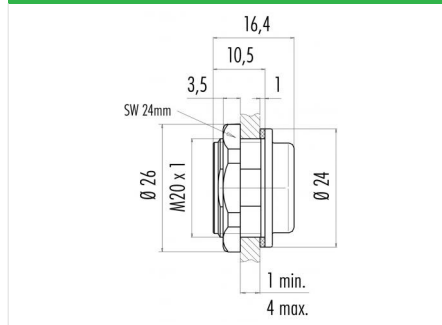


Product description	Snap-In IP67 (miniature) adapter, unshielded
Area	Snap-In IP67 (miniature) series 720
Order number	08 2434 400 001

### Illustration



### Scale drawing



You can find the component part drawing and assembly instructions on the next page.

## Technical data

### General features

Order number	08 2434 400 001
Connector design	adapter
Version	adapter
Customs tariff number	85369010

### Electrical parameters

EMC compliance	unshielded
----------------	------------

### Material

Housing material	PA GF 25
REACH SVHC	CAS 7439-92-1 (Lead)

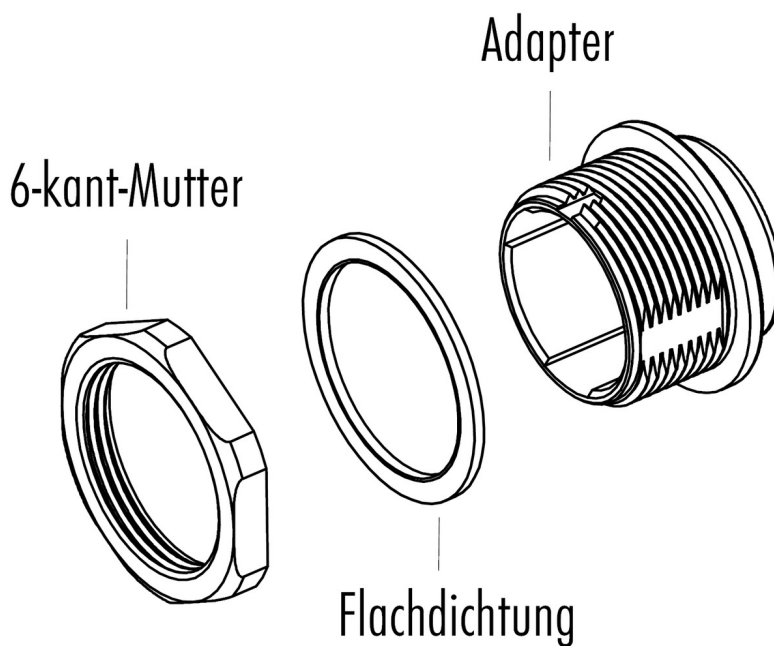
### Classifications

eCl@ss 11.1	27-44-02-08
ETIM 7.0	EC002314

Product description Snap-In IP67 (miniature) adapter, unshielded

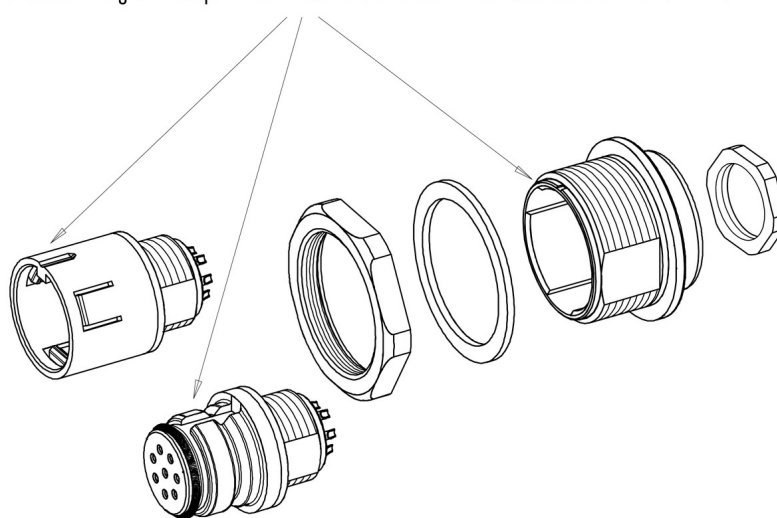
Area Snap-In IP67 (miniature) series 720  
Order number 08 2434 400 001

Component part drawing



Assembly instructions / Panel cut-out

Die Markierung des Adapters muss mit der Kodiernase des Einsatzes übereinstimmen



Product description      **Snap-In IP67 (miniature) adapter, unshielded**

Area                              **Snap-In IP67 (miniature) series 720**  
Order number                **08 2434 400 001**

## Security notices

The connector must not be plugged or unplugged under load. Non-observance and improper use can result in personal injury.

The connectors have been developed for applications in plant engineering, control and electrical equipment construction. The user is responsible for checking whether the connectors can also be used in other areas of application.

Plug connectors with enclosure protection IP 67 and IP 68 are not suitable for use under water. When used outdoors, the plug connectors must be protected separately against corrosion. For further information on the IP protection classes, please refer to the "Technical Information" download centre.