

Product data sheet

Power connectors

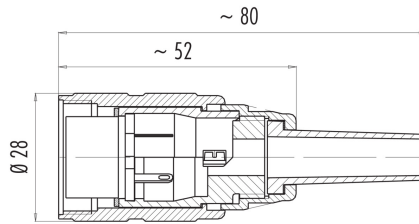


| | |
|---------------------|---|
| Product description | M25 female cable connector, Contacts: 7, 5.0 - 8.0 mm, shieldable, solder, IP40 |
| Area | M25 series 691 |
| Part no. | 09 0042 00 07 |

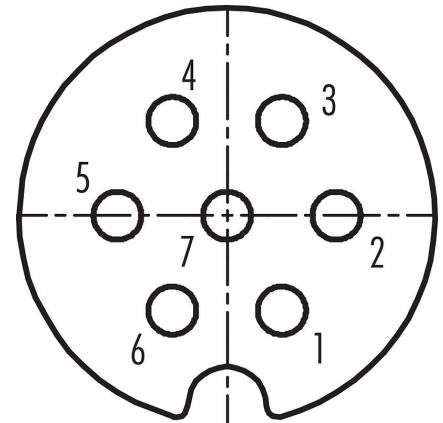
Illustration



Scale drawing



Contact arrangement (Plug-in side)



You can find the component part drawing on the next page.

Technical data

General features

| | |
|---------------------------|-------------------------------|
| Part no. | 09 0042 00 07 |
| Connector design | female cable connector |
| Version | female straight |
| Connector locking system | screw |
| Termination | solder |
| Degree of protection | IP40 |
| Cross-sectional area | 0.75 mm ² / AWG 18 |
| Cable outlet | 5.0 - 8.0 mm |
| Temperature range from/to | -40 °C / 85 °C |
| Mechanical operation | > 500 Mating cycles |
| Weight (g) | 38.86 |
| Customs tariff number | 85369010 |

Electrical parameters

| | |
|---------------------------|----------------------|
| Rated voltage | 250 V |
| Rated impulse voltage | 2500 V |
| Rated current (40 °C) | 5,0 A |
| Insulation resistance | ≥ 10 ¹⁰ Ω |
| Pollution degree | 1 |
| Overvoltage category | II |
| Insulating material group | III |

Product data sheet

Power connectors



| | |
|---------------------|---|
| Product description | M25 female cable connector, Contacts: 7, 5.0 - 8.0 mm, shieldable, solder, IP40 |
| Area | M25 series 691 |
| Part no. | 09 0042 00 07 |

| | |
|-------------------|-------------------------------|
| EMC compliance | shieldable |
| Shield connection | cable clamp and soldering lug |

Material

| | |
|-----------------------|---------------------------|
| Housing material | GD-AL eloxiert |
| Contact body material | PET (UL94 V-0) |
| Contact material | CuZn (brass) |
| Contact plating | Ag (silver) |
| REACH SVHC | None (No pollutants) |
| SCIP number | SCIP-number not available |

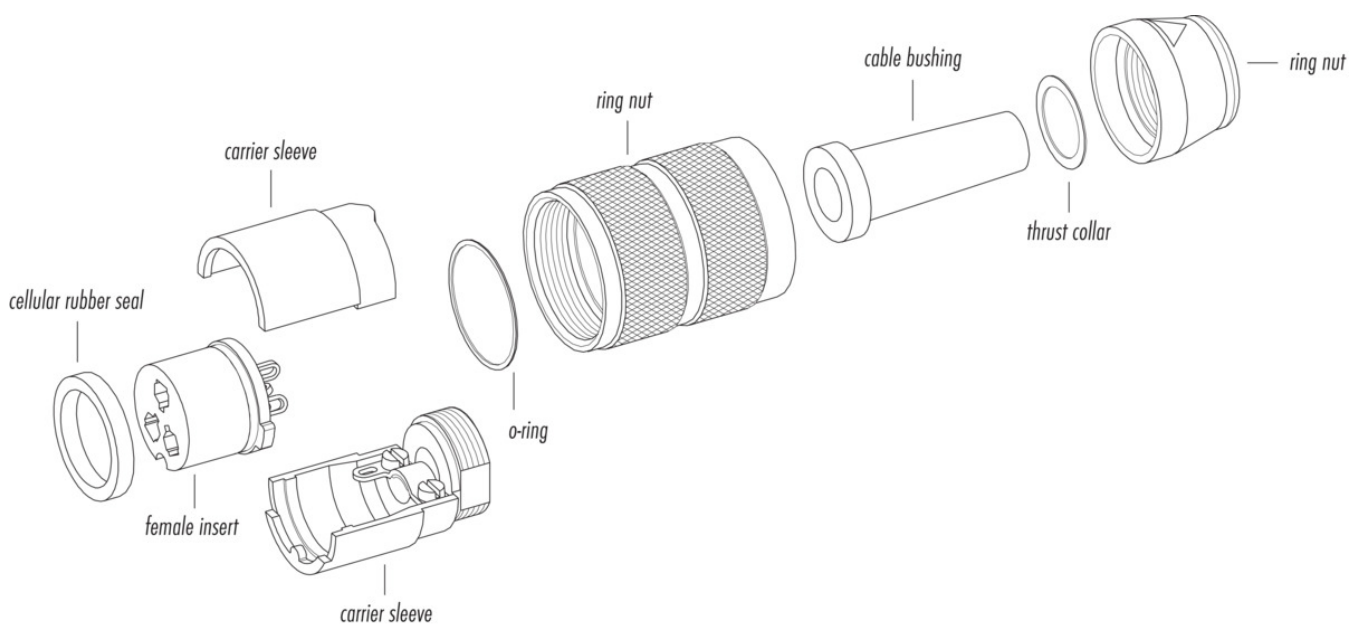
Classifications

| | |
|-------------|-------------|
| eCl@ss 11.1 | 27-44-01-09 |
| ETIM 7.0 | EC003569 |

Declarations of conformity

| | |
|-----------------------|--|
| Low Voltage Directive | 2014/35/EU (EN 60204-1:2018;EN 60529:1991) |
|-----------------------|--|

Component part drawing



| | |
|---------------------|--|
| Product description | M25 female cable connector, Contacts: 7, 5.0 - 8.0 mm, shieldable, solder, IP40 |
| Area | M25 series 691 |
| Part no. | 09 0042 00 07 |

Security notices

The connector must not be plugged or unplugged under load. Non-observance and improper use can result in personal injury.

The connectors have been developed for applications in plant engineering, control and electrical equipment construction. The user is responsible for checking whether the connectors can also be used in other areas of application.

To protect against unintentional opening of the connector, the thread between the housing and the connector head must be secured with a suitable cyanoacrylate adhesive when used in circuits with voltages dangerous to the touch. This does not apply to connectors used in SELV and PELV circuits according to IEC 61140 (EN 61140, VDE 0140-1).

Connectors which are used in circuits with voltages dangerous to the touch may only be installed and used by, or under the supervision of, persons with electrical engineering training, taking into account the applicable regulations and standards.

To lock the cable connector with the device connector, the threaded ring is tightened "hand-tight" (approx. 50 cNm).