

Product data sheet

Power connectors

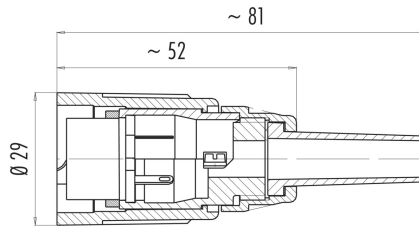


Product description	Bayonet female cable connector, Contacts: 3, 5.0 - 8.0 mm, shieldable, solder, IP40
Area	Bayonet series 690
Part no.	09 0056 00 03

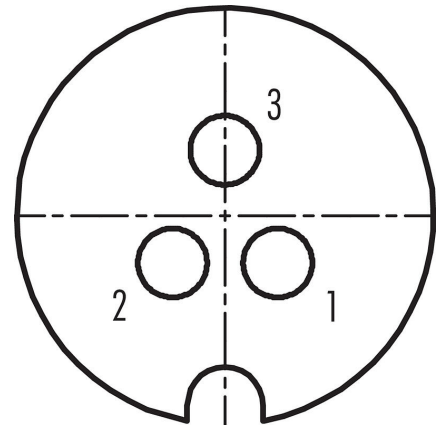
Illustration



Scale drawing



Contact arrangement (Plug-in side)



You can find the component part drawing on the next page.

Technical data

General features

Part no.	09 0056 00 03
Connector design	female cable connector
Version	connector female straight
Connector locking system	Bayonet
Termination	solder
Degree of protection	IP40
Cross-sectional area	2.50 mm ² / AWG 14
Cable outlet	5.0 - 8.0 mm
Temperature range from/to	-40 °C / 85 °C
Mechanical operation	> 50 Mating cycles
Weight (g)	28.96
Customs tariff number	85369010

Electrical parameters

Rated voltage	250 V
Rated impulse voltage	2500 V
Rated current (40 °C)	10 A
Insulation resistance	≥ 10 ¹⁰ Ω
Pollution degree	1
Overvoltage category	II
Insulating material group	III

Product data sheet

Power connectors

Product description	Bayonet female cable connector, Contacts: 3, 5.0 - 8.0 mm, shieldable, solder, IP40
Area	Bayonet series 690
Part no.	09 0056 00 03

EMC compliance	shieldable
Shield connection	cable clamp and soldering lug

Material

Housing material	GD-AL eloxiert
Contact body material	PET (UL94 V-0)
Contact material	CuSn (bronze)
Contact plating	Ag (silver)
REACH SVHC	None (No pollutants)
SCIP number	SCIP-number not available

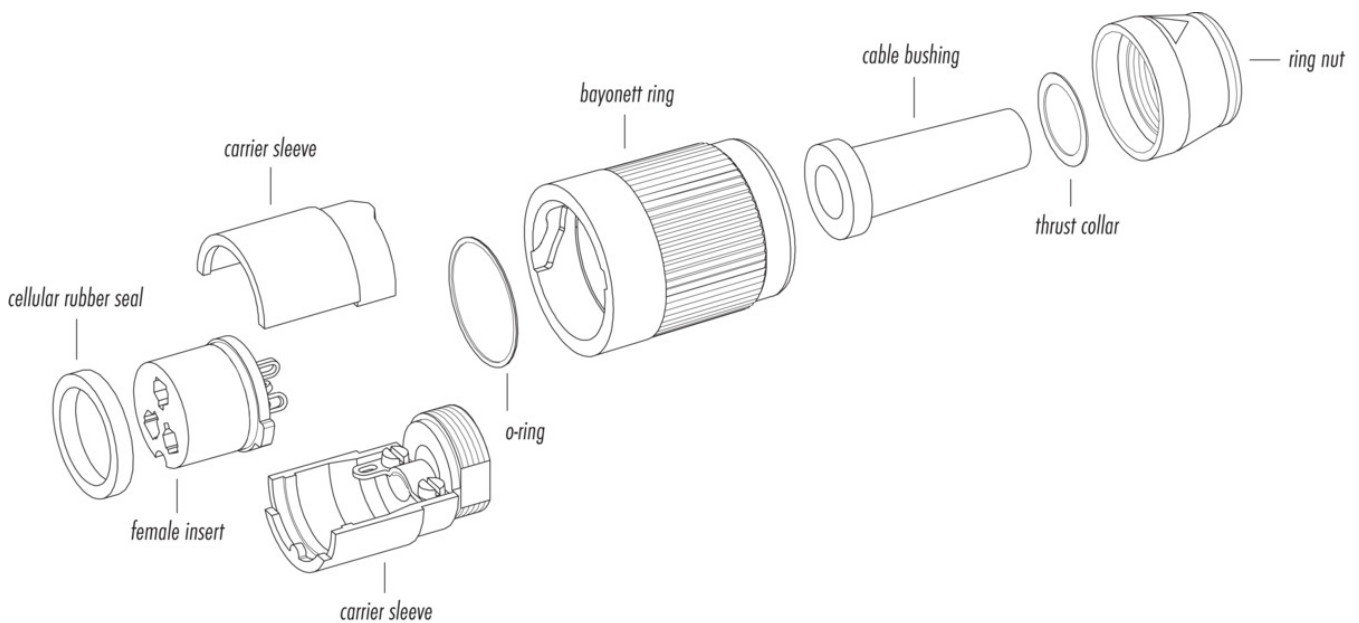
Classifications

eCl@ss 11.1	27-44-01-09
ETIM 7.0	EC003569

Declarations of conformity

Low Voltage Directive	2014/35/EU (EN 60204-1:2018;EN 60529:1991)
-----------------------	--

Component part drawing



Product description	Bayonet female cable connector, Contacts: 3, 5.0 - 8.0 mm, shieldable, solder, IP40
Area Part no.	Bayonet series 690 09 0056 00 03

Security notices

The connector must not be plugged or unplugged under load. Non-observance and improper use can result in personal injury.

The connectors have been developed for applications in plant engineering, control and electrical equipment construction. The user is responsible for checking whether the connectors can also be used in other areas of application.

Connectors which are used in circuits with voltages dangerous to the touch may only be installed and used by, or under the supervision of, persons with electrical engineering training, taking into account the applicable regulations and standards.