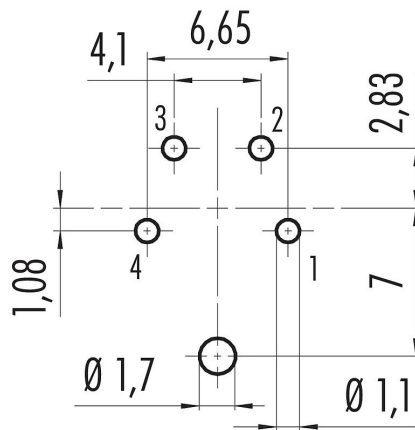


Product description	M16 IP67 male panel mount connector, Contacts: 4, shieldable, dip-solder, IP67, UL, front mounting
Area	M16 IP67 series 723
Part no.	09 0111 290 04

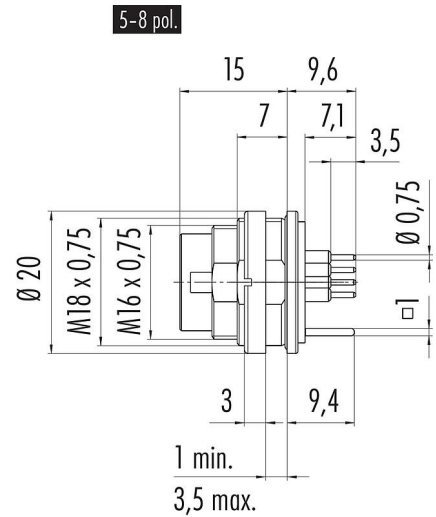
Illustration



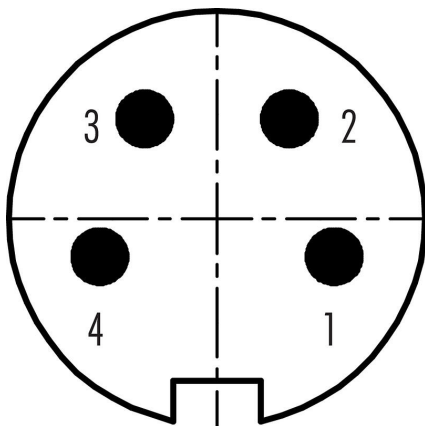
Conductor layout



Scale drawing



Contact arrangement (Plug-in side)



You can find the assembly instructions on the next page.

Technical data

General features

Part no.	09 0111 290 04
Connector design	male panel mount connector
Version	connector male straight
Connector locking system	screw

Product data sheet

Miniature connectors



Product description	M16 IP67 male panel mount connector, Contacts: 4, shieldable, dip-solder, IP67, UL, front mounting
Area	M16 IP67 series 723
Part no.	09 0111 290 04

Termination	dip-solder
Degree of protection	IP67
Temperature range from/to	-40 °C / 95 °C
Tightening torque	0,5 - 1 Nm (screw nut)
Mechanical operation	> 500 Mating cycles
Weight (g)	12.93
Customs tariff number	85369010

Electrical parameters

Rated voltage	250 V
Rated impulse voltage	1500 V
Rated current (40 °C)	6 A
Insulation resistance	$\geq 10^{10} \Omega$
Pollution degree	1
Overvoltage category	I
Insulating material group	III
EMC compliance	shieldable
Shield connection	Shield pin

Material

Housing material	Zinc die-cast nickel-plated
Contact body material	PBT (UL94 V-0)
Contact material	CuZn (brass)
Contact plating	Ag (silver)
REACH SVHC	CAS 7439-92-1 (Lead)
SCIP number	349e8c0f-569c-419e-8335-508c1025b32a

Authorization/approvals

Approvals	UL
-----------	----

Product data sheet
Miniature connectors



Product description	M16 IP67 male panel mount connector, Contacts: 4, shieldable, dip-solder, IP67, UL, front mounting
Area	M16 IP67 series 723
Part no.	09 0111 290 04

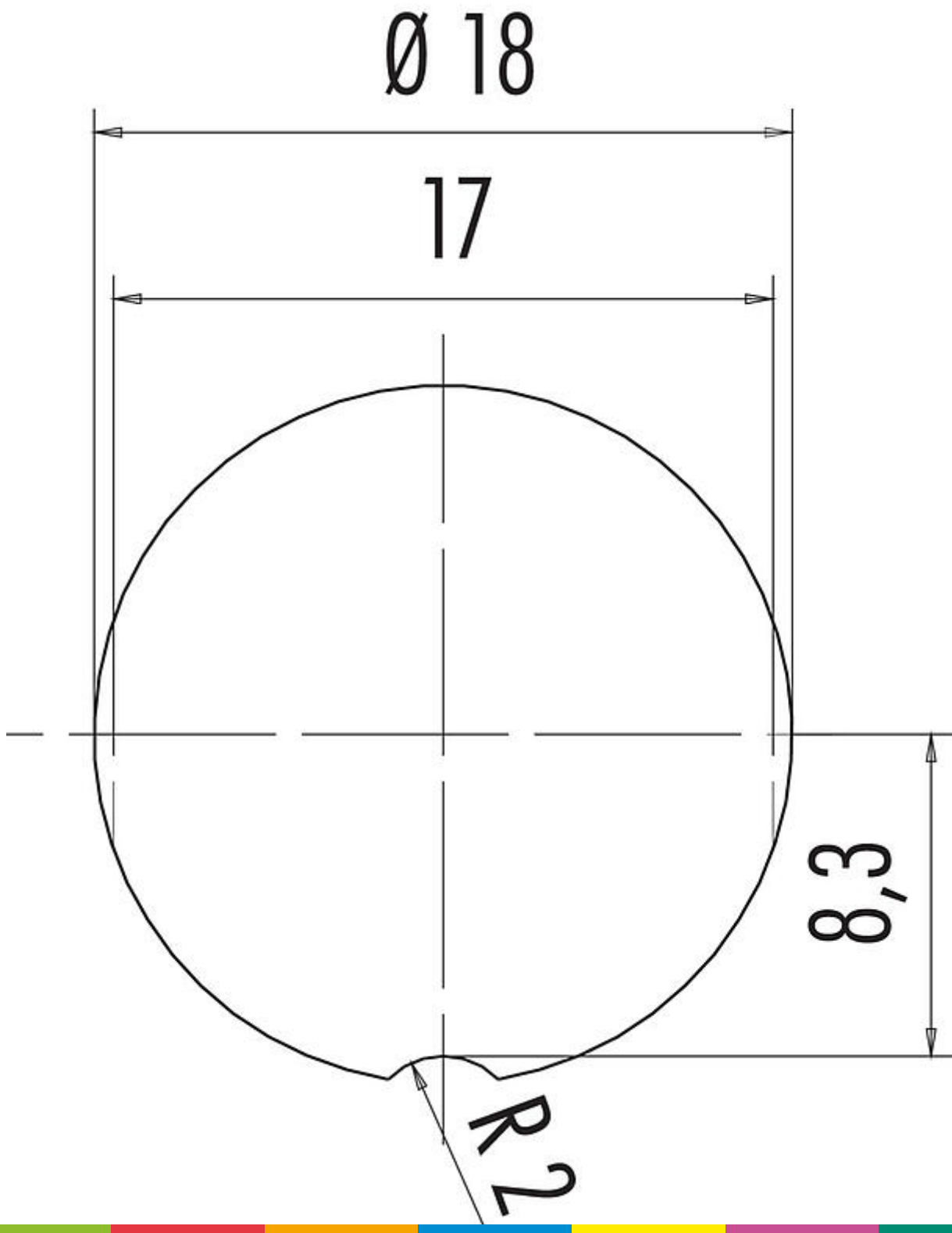
Product data sheet
Miniature connectors



Product description	M16 IP67 male panel mount connector, Contacts: 4, shieldable, dip-solder, IP67, UL, front mounting
Area	M16 IP67 series 723
Part no.	09 0111 290 04

Product description	M16 IP67 male panel mount connector, Contacts: 4, shieldable, dip-solder, IP67, UL, front mounting
Area	M16 IP67 series 723
Part no.	09 0111 290 04

Assembly instructions / Panel cut-out



Product description	M16 IP67 male panel mount connector, Contacts: 4, shieldable, dip-solder, IP67, UL, front mounting
Area	M16 IP67 series 723
Part no.	09 0111 290 04

Security notices

The connector must not be plugged or unplugged under load. Non-observance and improper use can result in personal injury.

The connectors have been developed for applications in plant engineering, control and electrical equipment construction. The user is responsible for checking whether the connectors can also be used in other areas of application.

Plug connectors with enclosure protection IP 67 and IP 68 are not suitable for use under water. When used outdoors, the plug connectors must be protected separately against corrosion. For further information on the IP protection classes, please refer to the "Technical Information" download centre.

The plug connector is not suitable for mains voltages. Please observe the pollution degree and the overvoltage category. For further information, please refer to the download center "Technical Information".