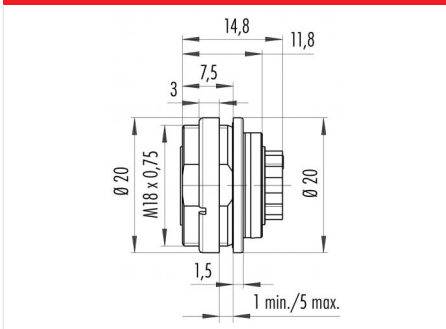


Product description	M16 IP67 female panel mount connector, Contacts: 7, unshielded, crimp (Crimp contacts must be ordered separately), IP67, UL, front mounting
Area	M16 IP67 series 723
Order number	09 0128 780 07

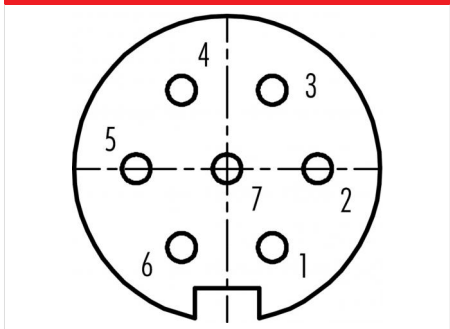
Illustration



Scale drawing



Contact arrangement (Plug-in side)



You can find the assembly instructions on the next page.

Technical data

General features

Order number	09 0128 780 07
Connector design	female panel mount connector
Version	connector female straight
Connector locking system	screw
Termination	crimp (Crimp contacts must be ordered separately)
Degree of protection	IP67
Cross-sectional area	see crimp contacts under accessories
Temperature range from/to	-40 °C / 100 °C
Mechanical operation	> 500 Mating cycles
Weight (g)	8.037
Customs tariff number	85369010

Material

Housing material	Zinc die-cast nickel-plated
Contact body material	PBT (UL94 V-0)
Contact material	depending on crimp contact (accessory)
REACH SVHC	CAS 7439-92-1 (Lead)

Classifications

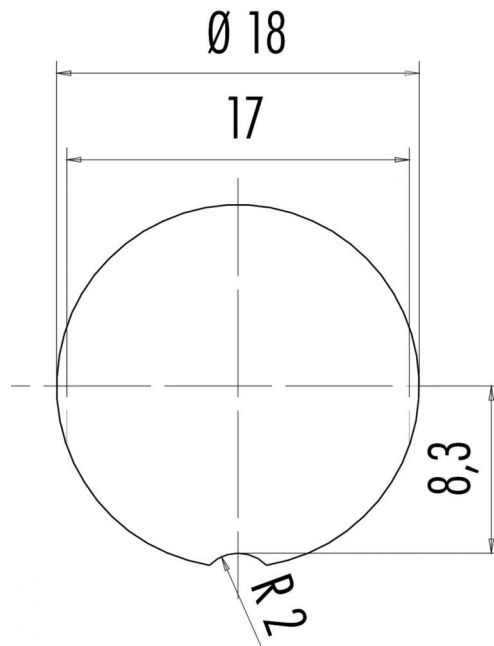
eCl@ss 11.1	27-44-01-09
ETIM 7.0	EC003569

Electrical parameters

Rated voltage	125 V
Rated impulse voltage	800 V
Rated current (40 °C)	5 A
Insulation resistance	≥ 10 ¹⁰ Ω
Pollution degree	1
Overvoltage category	I
Insulating material group	III
EMC compliance	unshielded

Product description	M16 IP67 female panel mount connector, Contacts: 7, unshielded, crimp (Crimp contacts must be ordered separately), IP67, UL, front mounting
Area	M16 IP67 series 723
Order number	09 0128 780 07

Assembly instructions / Panel cut-out



Product description	M16 IP67 female panel mount connector, Contacts: 7, unshielded, crimp (Crimp contacts must be ordered separately), IP67, UL, front mounting
Area	M16 IP67 series 723
Order number	09 0128 780 07

Security notices

The connector must not be plugged or unplugged under load. Non-observance and improper use can result in personal injury.

The connectors have been developed for applications in plant engineering, control and electrical equipment construction. The user is responsible for checking whether the connectors can also be used in other areas of application.

Plug connectors with enclosure protection IP 67 and IP 68 are not suitable for use under water. When used outdoors, the plug connectors must be protected separately against corrosion. For further information on the IP protection classes, please refer to the "Technical Information" download centre.