

# Product data sheet

## Miniature connectors

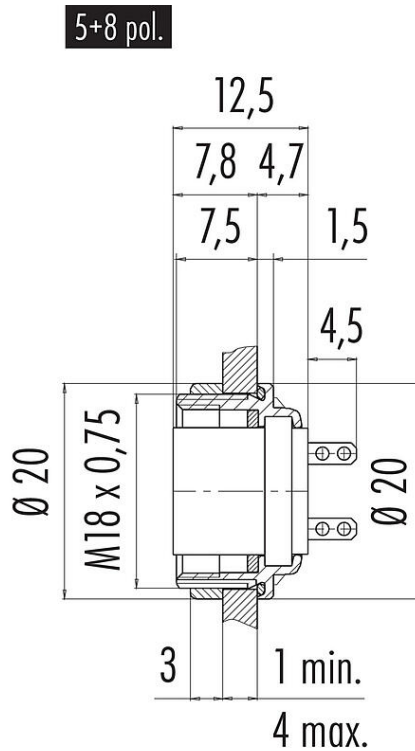


Product description	M16 IP67 female panel mount connector, Contacts: 7, unshielded, solder, IP67, UL, front fastened
Area	M16 IP67 series 723
Part no.	09 0128 80 07

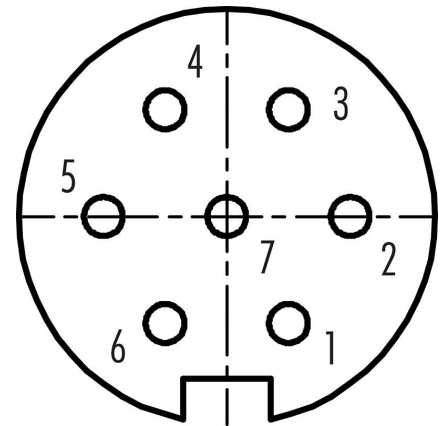
### Illustration



### Scale drawing



### Contact arrangement (Plug-in side)



You can find the assembly instructions on the next page.

### Technical data

#### General features

Part no.	09 0128 80 07
Connector design	female panel mount connector
Version	female straight
Connector locking system	screw
Termination	solder
Degree of protection	IP67
Cross-sectional area	0.75 mm <sup>2</sup> / AWG 18
Temperature range from/to	-40 °C / 95 °C
Tightening torque	0,5 - 1 Nm (screw nut)
Mechanical operation	> 500 Mating cycles
Weight (g)	9.06
Customs tariff number	85369010

# Product data sheet

## Miniature connectors



Product description	M16 IP67 female panel mount connector, Contacts: 7, unshielded, solder, IP67, UL, front fastened
Area	M16 IP67 series 723
Part no.	09 0128 80 07

### Electrical parameters

Rated voltage	125 V
Rated impulse voltage	800 V
Rated current (40 °C)	5,0 A
Insulation resistance	$\geq 10^{10} \Omega$
Pollution degree	1
Overvoltage category	I
Insulating material group	III
EMC compliance	unshielded

### Material

Housing material	Zinc die-cast nickel-plated
Contact body material	PBT (UL94 V-0)
Contact material	CuSn (bronze)
Contact plating	Ag (silver)
REACH SVHC	CAS 7439-92-1 (Lead)
SCIP number	fc2167a9-d1ab-4ff9-bcb5-34d786b799d6

### Authorization/approvals

Approvals	UL
-----------	----

### Classifications

eCl@ss 11.1	27-44-01-09
ETIM 7.0	EC003569

**Product data sheet**  
**Miniature connectors**



Product description	<b>M16 IP67 female panel mount connector, Contacts: 7, unshielded, solder, IP67, UL, front fastened</b>
Area	<b>M16 IP67 series 723</b>
Part no.	<b>09 0128 80 07</b>

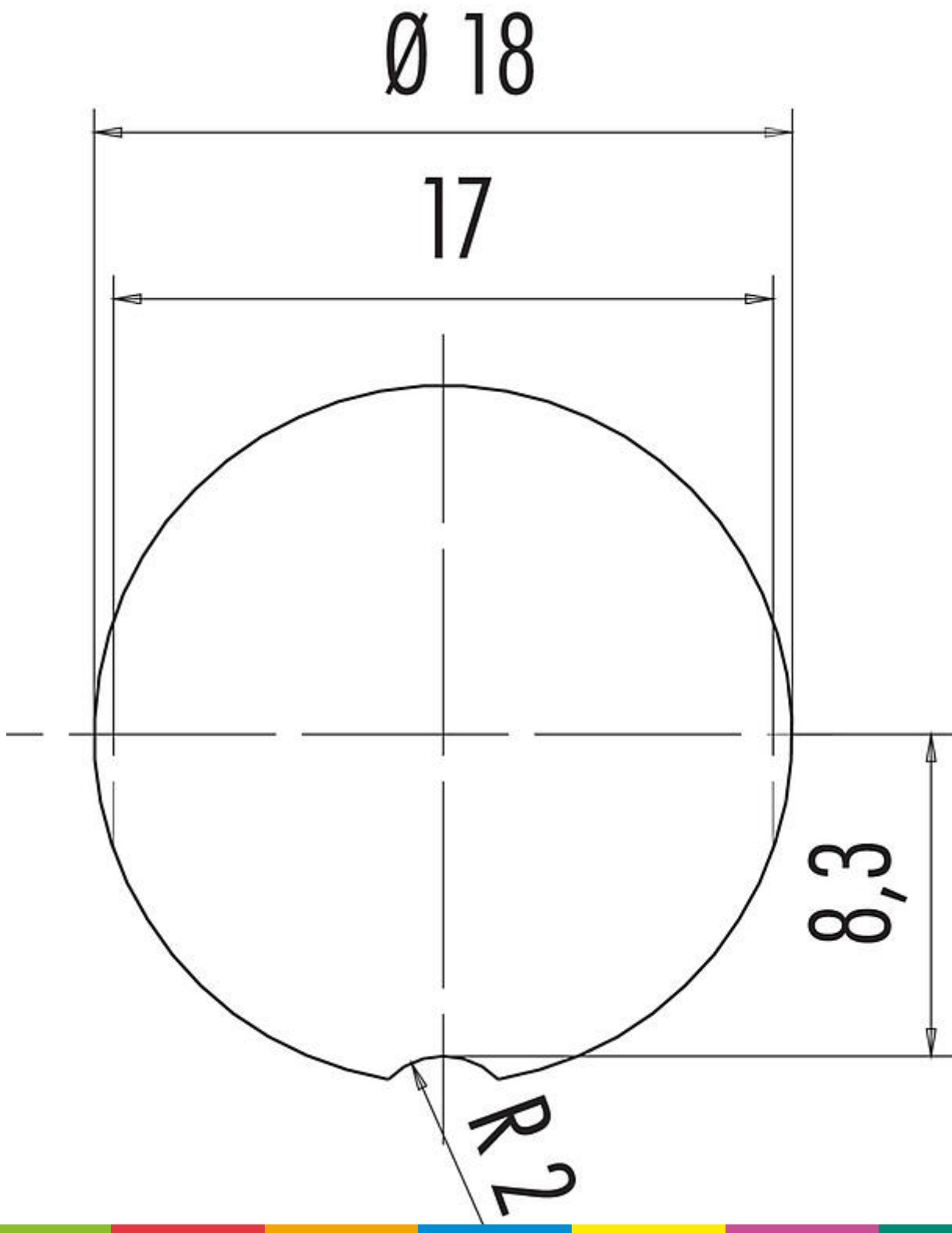
**Product data sheet**  
**Miniature connectors**



Product description	<b>M16 IP67 female panel mount connector, Contacts: 7, unshielded, solder, IP67, UL, front fastened</b>
Area	<b>M16 IP67 series 723</b>
Part no.	<b>09 0128 80 07</b>

Product description	M16 IP67 female panel mount connector, Contacts: 7, unshielded, solder, IP67, UL, front fastened
Area	M16 IP67 series 723
Part no.	09 0128 80 07

Assembly instructions / Panel cut-out



Product description	<b>M16 IP67 female panel mount connector, Contacts: 7, unshielded, solder, IP67, UL, front fastened</b>
Area	<b>M16 IP67 series 723</b>
Part no.	<b>09 0128 80 07</b>

### **Security notices**

The connector must not be plugged or unplugged under load. Non-observance and improper use can result in personal injury.

The connectors have been developed for applications in plant engineering, control and electrical equipment construction. The user is responsible for checking whether the connectors can also be used in other areas of application.

Plug connectors with enclosure protection IP 67 and IP 68 are not suitable for use under water. When used outdoors, the plug connectors must be protected separately against corrosion. For further information on the IP protection classes, please refer to the "Technical Information" download centre.