

Product data sheet

Miniature connectors

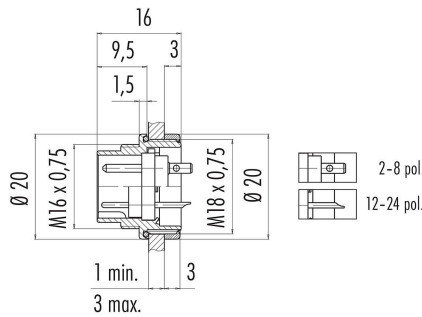


Product description	M16 IP67 male panel mount connector, Contacts: 8 DIN, unshielded, solder, IP68, UL, AISG compliant
Area	M16 IP67 series 723
Part no.	09 0173 09 08

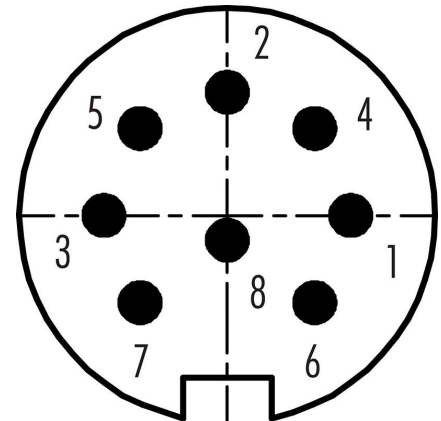
Illustration



Scale drawing



Contact arrangement (Plug-in side)



You can find the assembly instructions on the next page.

Technical data

General features

Part no.	09 0173 09 08
Connector design	male panel mount connector
Version	connector male straight
Connector locking system	screw
Termination	solder
Degree of protection	IP68 IP67
Cross-sectional area	0.75 mm ² / AWG 18
Temperature range from/to	-40 °C / 95 °C
Tightening torque	0,5 - 1 Nm (screw nut)
Mechanical operation	> 500 Mating cycles
Weight (g)	11.50
Customs tariff number	85369010

Electrical parameters

Rated voltage	60 V
Rated impulse voltage	500 V
Rated current (40 °C)	5 A
Insulation resistance	≥ 10 ¹⁰ Ω
Pollution degree	1
Overvoltage category	I
Insulating material group	III

Product data sheet

Miniature connectors



Product description **M16 IP67 male panel mount connector, Contacts: 8 DIN, unshielded, solder, IP68, UL, AISG compliant**

Area **M16 IP67 series 723**
Part no. **09 0173 09 08**

EMC compliance unshielded

Material

Housing material	Zinc die-cast nickel-plated
Contact body material	PBT (UL94 V-0)
Contact material	CuZn (brass)
Contact plating	Au (gold)
REACH SVHC	CAS 7439-92-1 (Lead)
SCIP number	81f7da44-b5d0-4d1f-bd99-aca3f95b3e1d

Authorization/approvals

Approvals UL, AISG compliant

Classifications

eCl@ss 11.1	27-44-01-09
ETIM 7.0	EC003569

Product data sheet
Miniature connectors



Product description	M16 IP67 male panel mount connector, Contacts: 8 DIN, unshielded, solder, IP68, UL, AISG compliant
Area	M16 IP67 series 723
Part no.	09 0173 09 08

Product data sheet
Miniature connectors

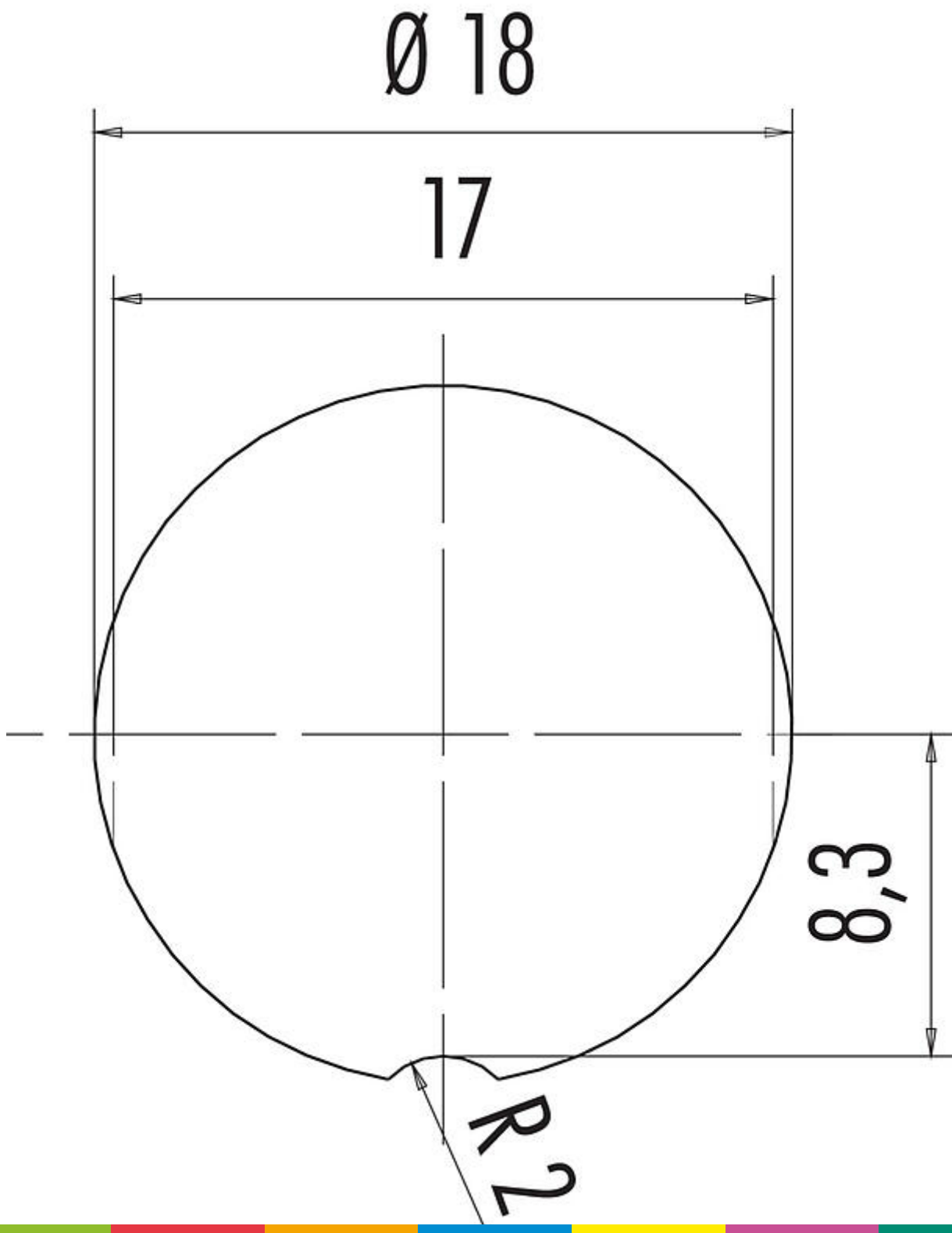


Product description	M16 IP67 male panel mount connector, Contacts: 8 DIN, unshielded, solder, IP68, UL, AISG compliant
Area	M16 IP67 series 723
Part no.	09 0173 09 08

Product description M16 IP67 male panel mount connector, Contacts: 8 DIN, unshielded, solder, IP68, UL, AISG compliant

Area M16 IP67 series 723
Part no. 09 0173 09 08

Assembly instructions / Panel cut-out



Product data sheet

Miniature connectors



Product description	M16 IP67 male panel mount connector, Contacts: 8 DIN, unshielded, solder, IP68, UL, AISG compliant
Area	M16 IP67 series 723
Part no.	09 0173 09 08

Security notices

The connectors have been developed for applications in plant engineering, control and electrical equipment construction. The user is responsible for checking whether the connectors can also be used in other areas of application.

Plug connectors with enclosure protection IP 67 and IP 68 are not suitable for use under water. When used outdoors, the plug connectors must be protected separately against corrosion. For further information on the IP protection classes, please refer to the "Technical Information" download centre.