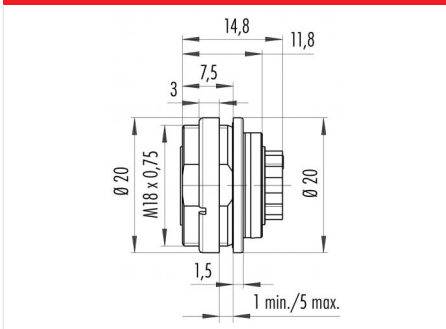


Product description	M16 IP67 female panel mount connector, Contacts: 8 DIN, unshielded, crimp (Crimp contacts must be ordered separately), IP68, UL, AISG compliant, front mounting
Area	M16 IP67 series 723
Order number	09 0174 780 08

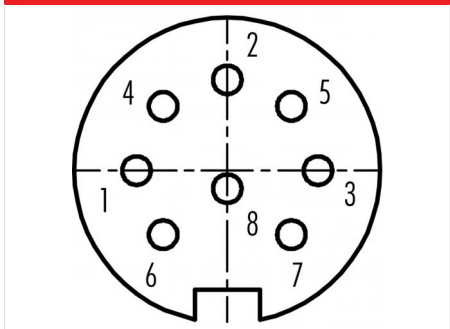
**Illustration**



**Scale drawing**



**Contact arrangement (Plug-in side)**



You can find the assembly instructions on the next page.

**Technical data**

**General features**

Order number	09 0174 780 08
Connector design	female panel mount connector
Version	connector female straight
Connector locking system	screw
Termination	crimp (Crimp contacts must be ordered separately)
Degree of protection	IP68
Cross-sectional area	IP67
Temperature range from/to	see crimp contacts under accessories
Mechanical operation	-40 °C / 100 °C
Weight (g)	> 500 Mating cycles
Customs tariff number	8
	85369010

**Material**

Housing material	Zinc die-cast nickel-plated
Contact body material	PBT (UL94 V-0)
Contact material	depending on crimp contact (accessory)
REACH SVHC	CAS 7439-92-1 (Lead)

**Classifications**

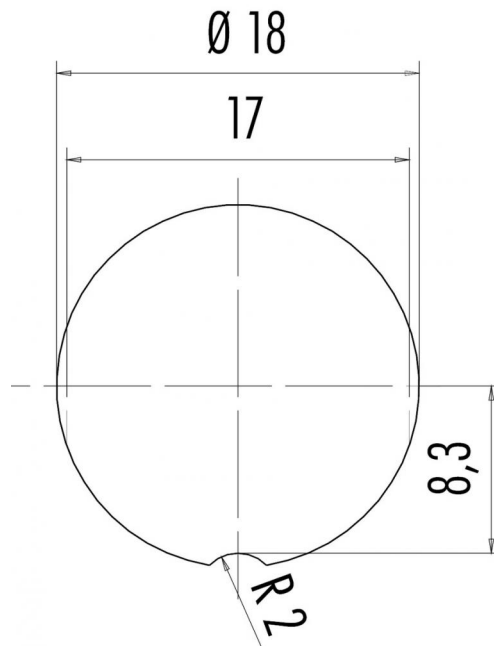
eCl@ss 11.1	27-44-01-09
ETIM 7.0	EC003569

**Electrical parameters**

Rated voltage	60 V
Rated impulse voltage	500 V
Rated current (40 °C)	5 A
Insulation resistance	≥ 10 <sup>10</sup> Ω
Pollution degree	1
Overvoltage category	I
Insulating material group	III
EMC compliance	unshielded

Product description	M16 IP67 female panel mount connector, Contacts: 8 DIN, unshielded, crimp (Crimp contacts must be ordered separately), IP68, UL, AISG compliant, front mounting
Area	M16 IP67 series 723
Order number	09 0174 780 08

Assembly instructions / Panel cut-out



Product description	<b>M16 IP67 female panel mount connector, Contacts: 8 DIN, unshielded, crimp (Crimp contacts must be ordered separately), IP68, UL, AISG compliant, front mounting</b>
Area	<b>M16 IP67 series 723</b>
Order number	<b>09 0174 780 08</b>

## Security notices

The connectors have been developed for applications in plant engineering, control and electrical equipment construction. The user is responsible for checking whether the connectors can also be used in other areas of application.

Plug connectors with enclosure protection IP 67 and IP 68 are not suitable for use under water. When used outdoors, the plug connectors must be protected separately against corrosion. For further information on the IP protection classes, please refer to the "Technical Information" download centre.