

Product data sheet

Miniature connectors

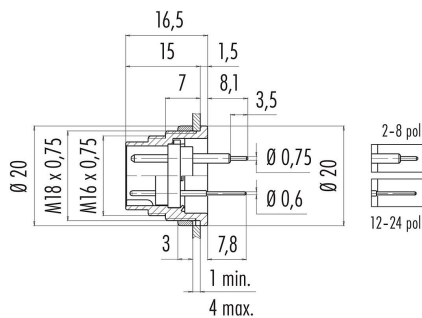


Product description	M16 IP40 male panel mount connector, Contacts: 2, unshielded, dip-solder, IP40, front mounting
Area	M16 IP40 series 680
Order number	09 0303 99 02

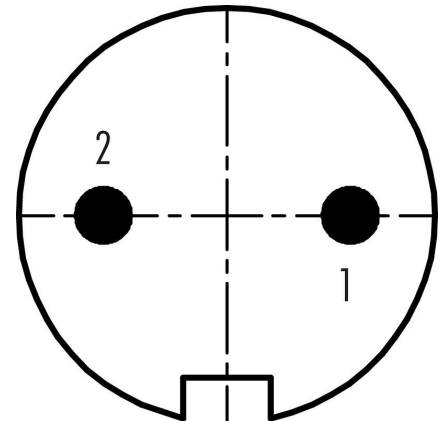
Illustration



Scale drawing



Contact arrangement (Plug-in side)



You can find the assembly instructions on the next page.

Technical data

General features

Order number	09 0303 99 02
Connector design	male panel mount connector
Version	connector male straight
Connector locking system	screw
Termination	dip-solder
Degree of protection	IP40
Temperature range from/to	-40 °C / 85 °C
Mechanical operation	> 500 Mating cycles
Weight (g)	10.716
Customs tariff number	85369010

Electrical parameters

Rated voltage	250 V
Rated impulse voltage	1500 V
Rated current (40 °C)	7 A
Insulation resistance	$\geq 10^{10} \Omega$
Pollution degree	1
Overvoltage category	I
Insulating material group	III
EMC compliance	unshielded

Product data sheet

Miniature connectors



Product description	M16 IP40 male panel mount connector, Contacts: 2, unshielded, dip-solder, IP40, front mounting
Area	M16 IP40 series 680
Order number	09 0303 99 02

Material

Housing material	Zinc die-cast nickel-plated
Contact body material	PBT (UL94 V-0)
Contact material	CuZn (brass)
Contact plating	Au (gold)
REACH SVHC	CAS 7439-92-1 (Lead)

Classifications

eCl@ss 11.1	27-44-01-09
ETIM 7.0	EC003569

Product description **M16 IP40 male panel mount connector, Contacts: 2, unshielded, dip-solder, IP40, front mounting**

Area **M16 IP40 series 680**

Order number **09 0303 99 02**

Product description **M16 IP40 male panel mount connector, Contacts: 2, unshielded, dip-solder, IP40, front mounting**

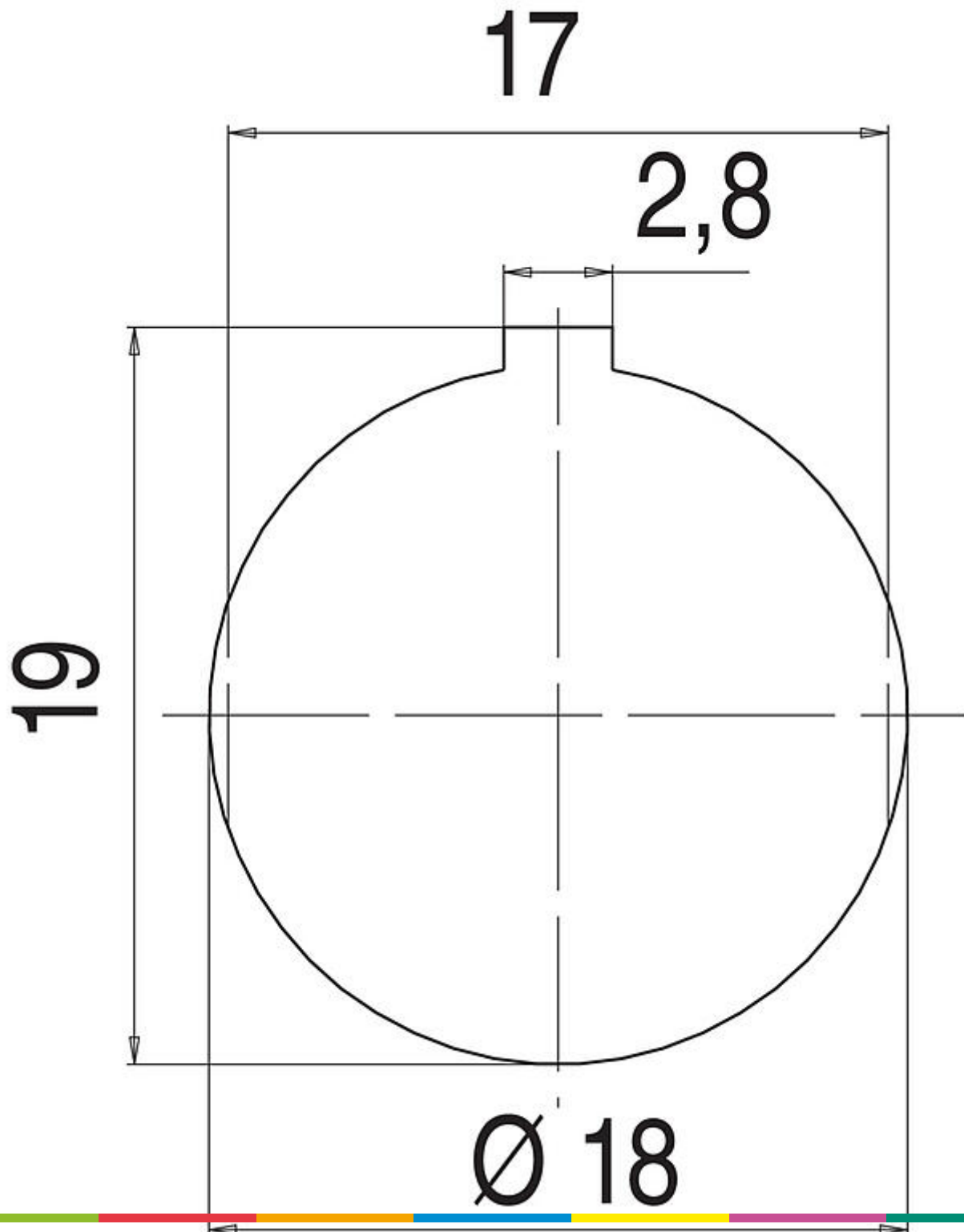
Area **M16 IP40 series 680**

Order number **09 0303 99 02**

Product description M16 IP40 male panel mount connector, Contacts: 2, unshielded, dip-solder, IP40, front mounting

Area M16 IP40 series 680
Order number 09 0303 99 02

Assembly instructions / Panel cut-out



Product description	M16 IP40 male panel mount connector, Contacts: 2, unshielded, dip-solder, IP40, front mounting
Area	M16 IP40 series 680
Order number	09 0303 99 02

Security notices

The connector must not be plugged or unplugged under load. Non-observance and improper use can result in personal injury.

The connectors have been developed for applications in plant engineering, control and electrical equipment construction. The user is responsible for checking whether the connectors can also be used in other areas of application.

To protect against unintentional opening of the connector, the thread between the housing and the connector head must be secured with a suitable cyanoacrylate adhesive when used in circuits with voltages dangerous to the touch. This does not apply to connectors used in SELV and PELV circuits according to IEC 61140 (EN 61140, VDE 0140-1).

The plug connector is not suitable for mains voltages. Please observe the pollution degree and the overvoltage category. For further information, please refer to the download center "Technical Information".