

Product data sheet

Miniature connectors

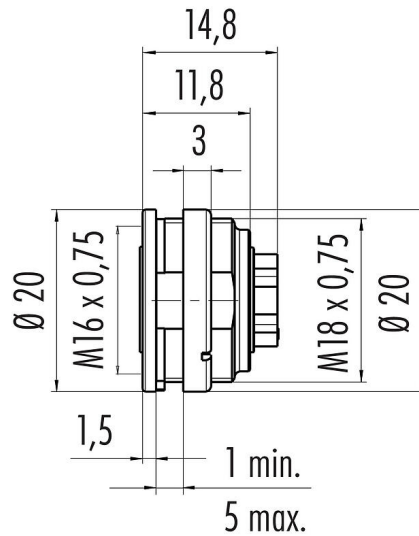


Product description	M16 IP40 female panel mount connector, Contacts: 5, unshielded, crimping (Crimp contacts must be ordered separately), IP40
Area	M16 IP40 series 680
Part no.	09 0316 700 05

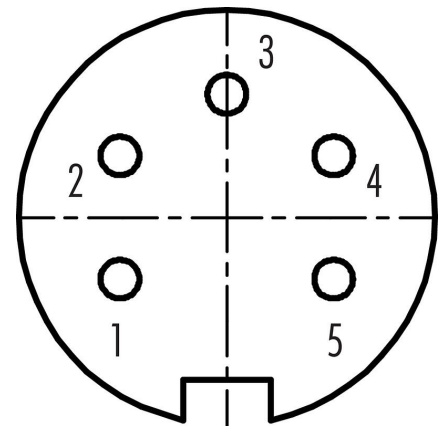
Illustration



Scale drawing



Contact arrangement (Plug-in side)



You can find the assembly instructions on the next page.

Technical data

General features

Part no.	09 0316 700 05
Connector design	female panel mount connector
Version	female straight
Connector locking system	screw
Termination	crimping (Crimp contacts must be ordered separately)
Degree of protection	IP40
Cross-sectional area	see crimp contacts under accessories
Temperature range from/to	-40 °C / 85 °C
Tightening torque	0,5 - 1 Nm (screw nut)
Mechanical operation	> 500 Mating cycles
Weight (g)	8.43
Customs tariff number	85369010

Electrical parameters

Rated voltage	250 V
Rated impulse voltage	1500 V
Rated current (40 °C)	6,0 A
Insulation resistance	$\geq 10^{10} \Omega$

Product data sheet

Miniature connectors



Product description **M16 IP40 female panel mount connector, Contacts: 5, unshielded, crimping (Crimp contacts must be ordered separately), IP40**

Area **M16 IP40 series 680**
Part no. **09 0316 700 05**

Pollution degree	1
Overvoltage category	I
Insulating material group	III
EMC compliance	unshielded

Material

Contact body material	PBT (UL94 V-0)
Contact material	depending on crimp contact (accessory)
REACH SVHC	CAS 7439-92-1 (Lead)
SCIP number	c610d98b-1b0a-4c9f-9424-e75072170cd2

Classifications

eCl@ss 11.1	27-44-01-09
ETIM 7.0	EC003569

Product description **M16 IP40 female panel mount connector, Contacts: 5, unshielded, crimping (Crimp contacts must be ordered separately), IP40**

Area **M16 IP40 series 680**
Part no. **09 0316 700 05**

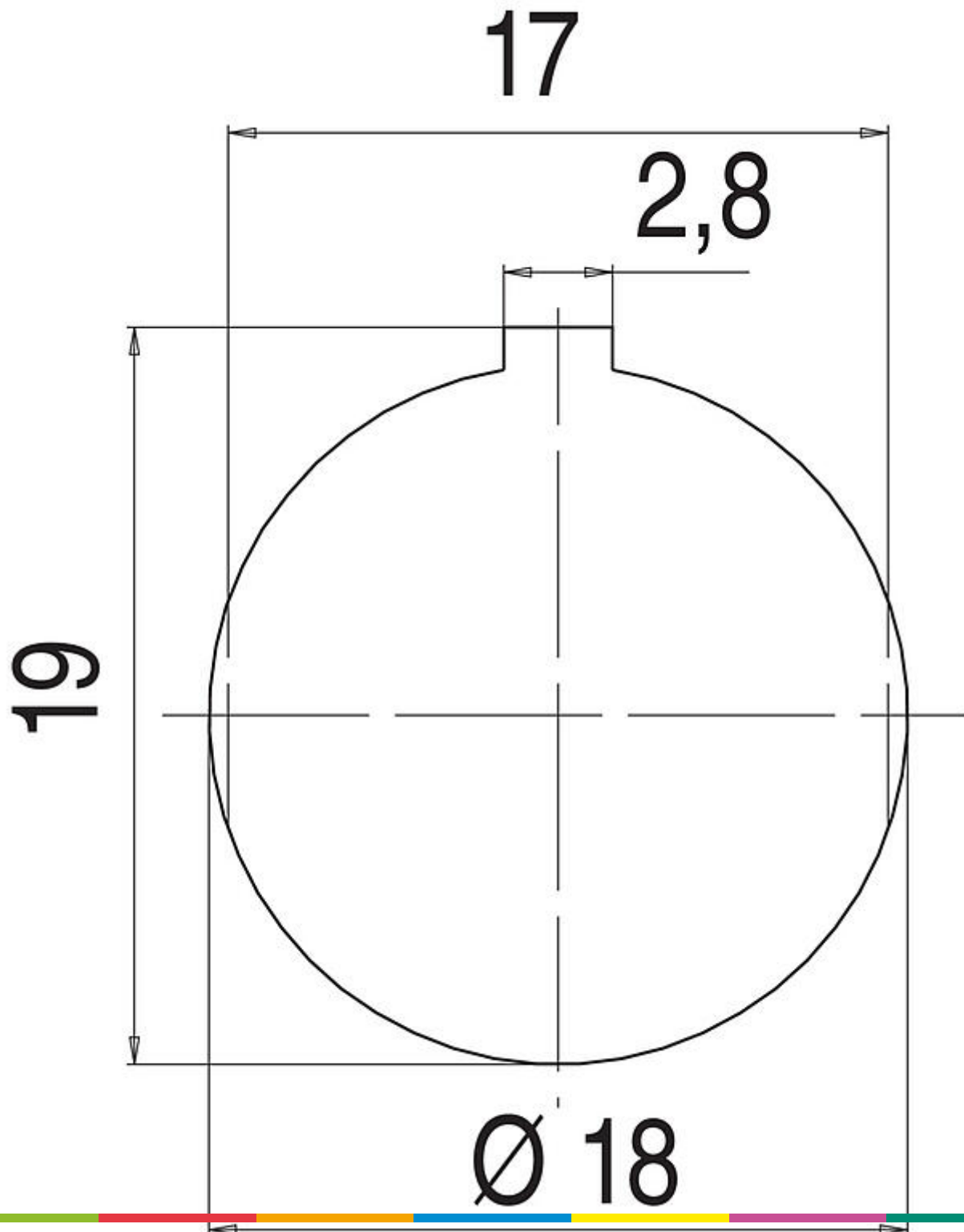
Product description **M16 IP40 female panel mount connector, Contacts: 5, unshielded, crimping (Crimp contacts must be ordered separately), IP40**

Area **M16 IP40 series 680**
Part no. **09 0316 700 05**

Product description M16 IP40 female panel mount connector, Contacts: 5, unshielded, crimping (Crimp contacts must be ordered separately), IP40

Area M16 IP40 series 680
Part no. 09 0316 700 05

Assembly instructions / Panel cut-out



Product description	M16 IP40 female panel mount connector, Contacts: 5, unshielded, crimping (Crimp contacts must be ordered separately), IP40
Area	M16 IP40 series 680
Part no.	09 0316 700 05

Security notices

The connector must not be plugged or unplugged under load. Non-observance and improper use can result in personal injury.

The connectors have been developed for applications in plant engineering, control and electrical equipment construction. The user is responsible for checking whether the connectors can also be used in other areas of application.

To protect against unintentional opening of the connector, the thread between the housing and the connector head must be secured with a suitable cyanoacrylate adhesive when used in circuits with voltages dangerous to the touch. This does not apply to connectors used in SELV and PELV circuits according to IEC 61140 (EN 61140, VDE 0140-1).

The plug connector is not suitable for mains voltages. Please observe the pollution degree and the overvoltage category. For further information, please refer to the download center "Technical Information".