

Product data sheet

Miniature connectors



Product description	M16 IP40 male panel mount connector, Contacts: 5 (stereo), unshielded, dip-solder, IP40, front mounting
Area	M16 IP40 series 680
Order number	09 0319 99 05

Material

Housing material	Zinc die-cast nickel-plated
Contact body material	PBT (UL94 V-0)
Contact material	CuZn (brass)
Contact plating	Au (gold)
REACH SVHC	CAS 7439-92-1 (Lead)

Classifications

eCl@ss 11.1	27-44-01-09
ETIM 7.0	EC003569

Product data sheet
Miniature connectors



Product description	M16 IP40 male panel mount connector, Contacts: 5 (stereo), unshielded, dip-solder, IP40, front mounting
Area	M16 IP40 series 680
Order number	09 0319 99 05

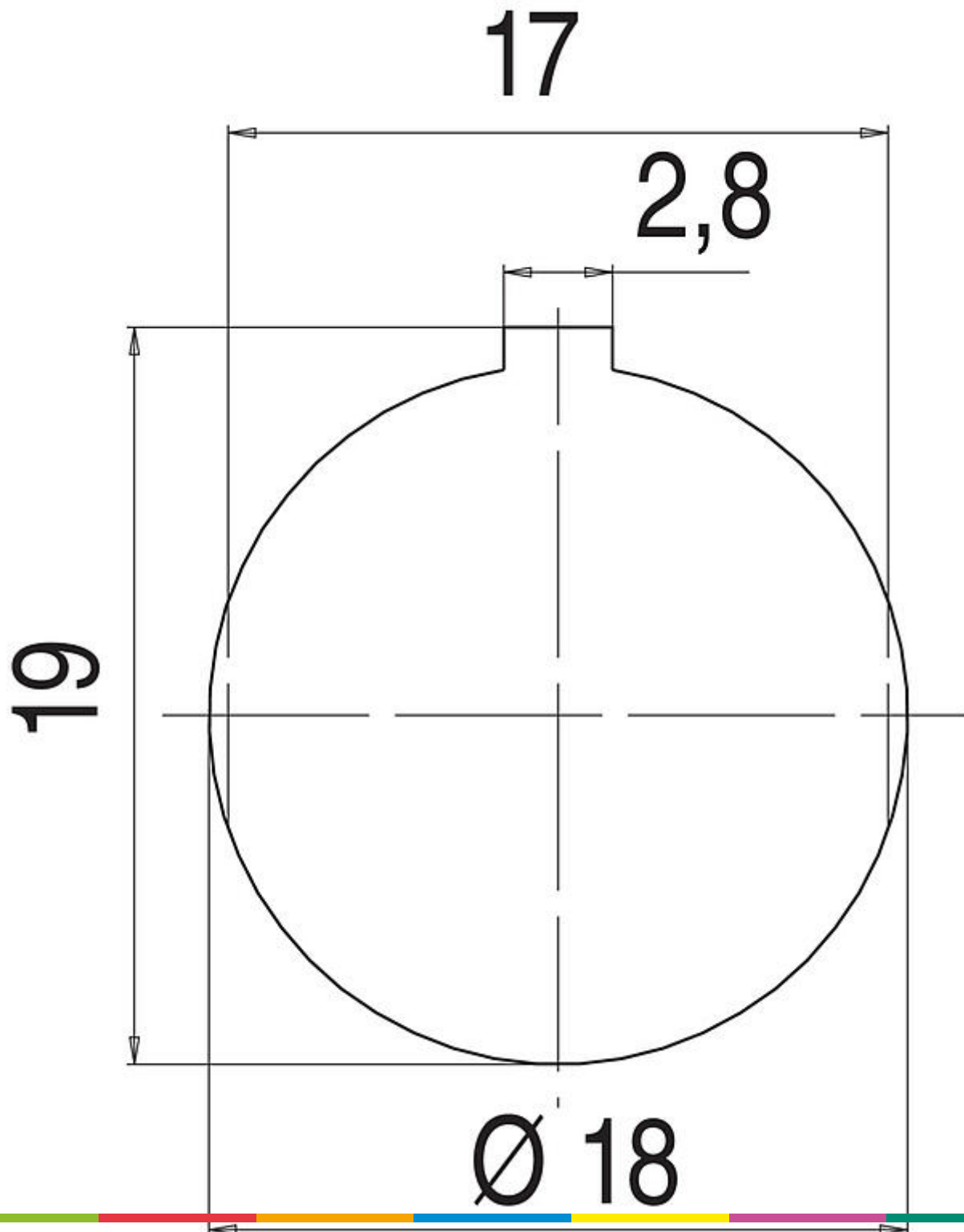
Product data sheet
Miniature connectors



Product description	M16 IP40 male panel mount connector, Contacts: 5 (stereo), unshielded, dip-solder, IP40, front mounting
Area	M16 IP40 series 680
Order number	09 0319 99 05

Product description	M16 IP40 male panel mount connector, Contacts: 5 (stereo), unshielded, dip-solder, IP40, front mounting
Area	M16 IP40 series 680
Order number	09 0319 99 05

Assembly instructions / Panel cut-out



Product data sheet

Miniature connectors



Product description	M16 IP40 male panel mount connector, Contacts: 5 (stereo), unshielded, dip-solder, IP40, front mounting
Area	M16 IP40 series 680
Order number	09 0319 99 05

Security notices

The connectors have been developed for applications in plant engineering, control and electrical equipment construction. The user is responsible for checking whether the connectors can also be used in other areas of application.