

Product data sheet

Miniature connectors

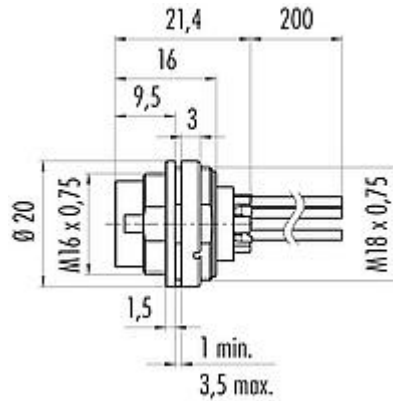


Product description	M16 IP40 Male panel mount connector, Contacts: 6 DIN, unshielded, single wires, IP40
Area	M16 IP40 series 680
Part no.	09 0323 702 06

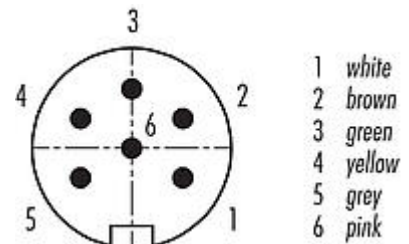
Illustration



Scale drawing



Contact arrangement (Plug-in side)



You can find the assembly instructions on the next page.

Technical data

General features

Part no.	09 0323 702 06
Connector design	Male panel mount connector
Version	Connector pin straight
Connector locking system	screw
Termination	single wires
Degree of protection	IP40
Cross-sectional area	AWG 22
Temperature range from/to	-30 °C / 85 °C
Mechanical operation	> 500 Mating cycles
Weight (g)	18.83
Customs tariff number	85369010

Electrical parameters

Rated voltage	300 V
Rated impulse voltage	1500 V
Rated current (40 °C)	5.0 A
Insulation resistance	≥ 10 ¹⁰ Ω
Pollution degree	1
Overvoltage category	I
Insulating material group	II
EMC compliance	unshielded

Product data sheet

Miniature connectors

Product description	M16 IP40 Male panel mount connector, Contacts: 6 DIN, unshielded, single wires, IP40
Area	M16 IP40 series 680
Part no.	09 0323 702 06

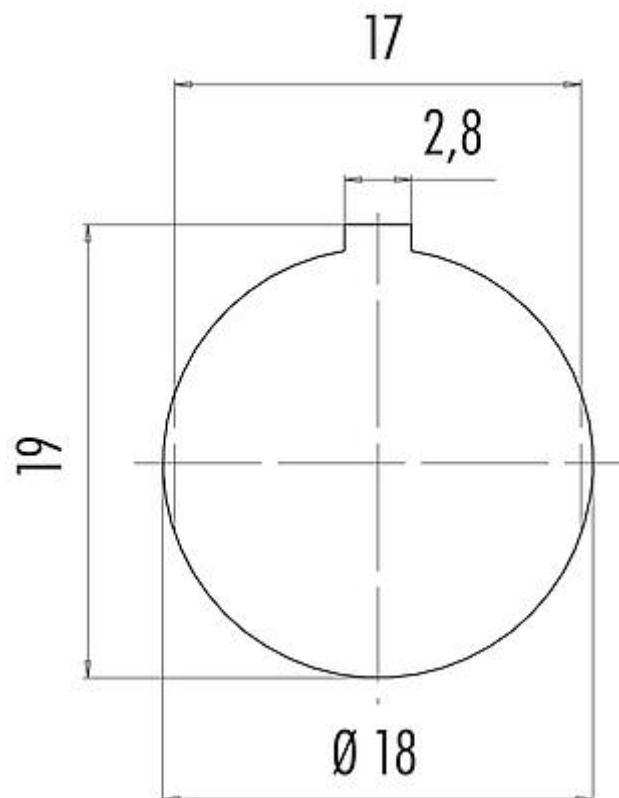
Material

Contact body material	PBT (UL94 V-0)
Contact material	CuSn (bronze)
Contact plating	Ag (silver)
REACH SVHC	CAS 7439-92-1 (Lead)
SCIP number	ee6c1842-a6da-4a42-a51e-b0f6d89c5724

Classifications

eCl@ss 11.1	27-44-01-09
ETIM 7.0	EC003569

Assembly instructions / Panel cut-out



Product data sheet

Miniature connectors



Product description	M16 IP40 Male panel mount connector, Contacts: 6 DIN, unshielded, single wires, IP40
Area	M16 IP40 series 680
Part no.	09 0323 702 06

Security notices

The connector must not be plugged or unplugged under load. Non-observance and improper use can result in personal injury.

The connectors have been developed for applications in plant engineering, control and electrical equipment construction. The user is responsible for checking whether the connectors can also be used in other areas of application.

To protect against unintentional opening of the connector, the thread between the housing and the connector head must be secured with a suitable cyanoacrylate adhesive when used in circuits with voltages dangerous to the touch. This does not apply to connectors used in SELV and PELV circuits according to IEC 61140 (EN 61140, VDE 0140-1).