

# Product data sheet

## Miniature connectors

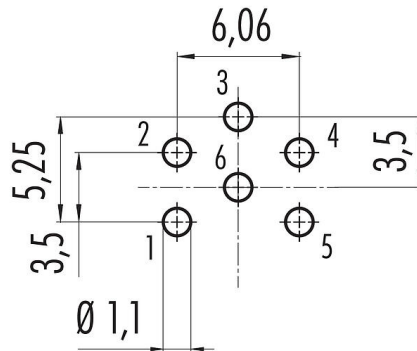


Product description	M16 IP40 Female panel mount connector, Contacts: 6 (06-a), unshielded, THT, IP40, front fastened
Area	M16 IP40 series 680
Part no.	09 0324 90 06

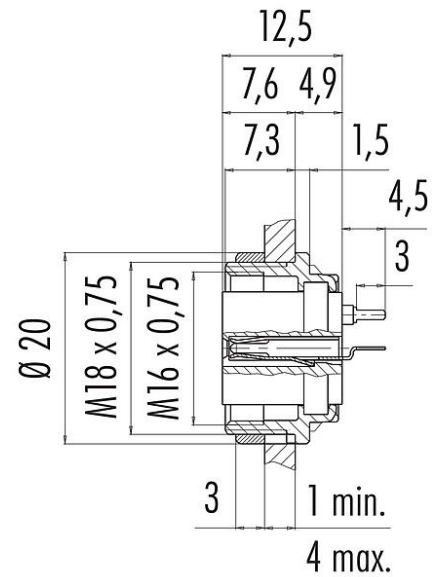
### Illustration



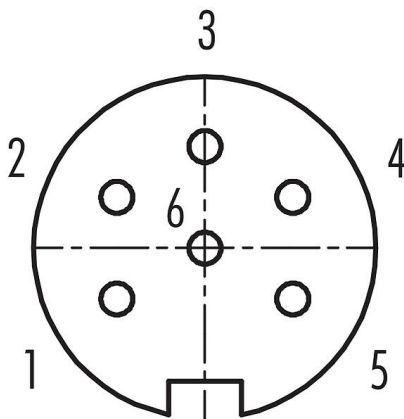
### Conductor layout



### Scale drawing



### Contact arrangement (Plug-in side)



You can find the component part drawing and assembly instructions on the next page.

### Technical data

#### General features

Part no.

09 0324 90 06

# Product data sheet

## Miniature connectors



Product description	<b>M16 IP40 Female panel mount connector, Contacts: 6 (06-a), unshielded, THT, IP40, front fastened</b>
Area	<b>M16 IP40 series 680</b>
Part no.	<b>09 0324 90 06</b>

Connector design	Female panel mount connector
Version	Connector socket straight
Connector locking system	screw
Termination	THT
Degree of protection	IP40
Temperature range from/to	-40 °C / 85 °C
Mechanical operation	> 500 Mating cycles
Weight (g)	8.97
Customs tariff number	85369010

### Electrical parameters

Rated voltage	250 V
Rated impulse voltage	1500 V
Rated current (40 °C)	5.0 A
Insulation resistance	$\geq 10^{10} \Omega$
Pollution degree	1
Overvoltage category	I
Insulating material group	III
EMC compliance	unshielded

### Material

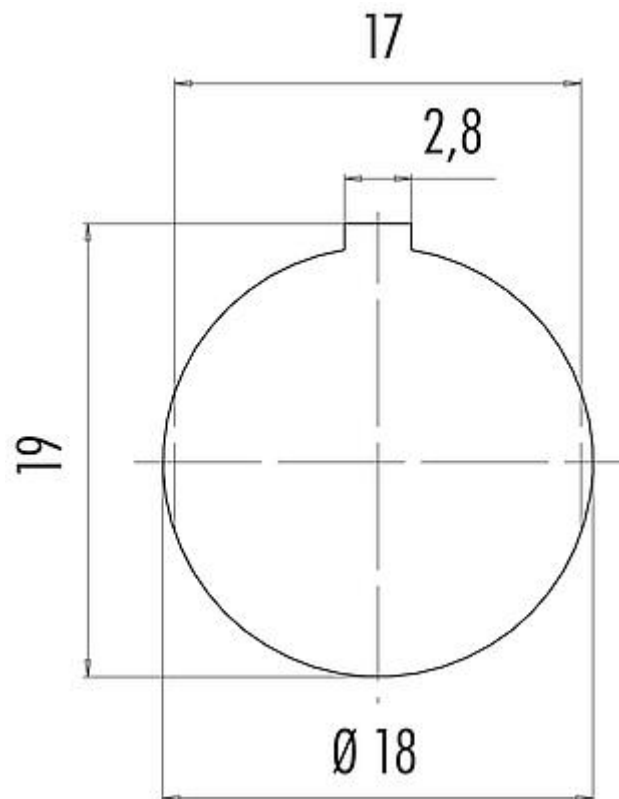
Housing material	Zinc die-cast nickel-plated
Contact body material	PBT (UL94 V-0)
Contact material	CuSn (bronze)
Contact plating	Ag (silver)
REACH SVHC	CAS 7439-92-1 (Lead)
SCIP number	SCIP-number not available

### Classifications

eCl@ss 11.1	27-44-01-09
ETIM 7.0	EC003569

Product description	<b>M16 IP40 Female panel mount connector, Contacts: 6 (06-a), unshielded, THT, IP40, front fastened</b>
Area	<b>M16 IP40 series 680</b>
Part no.	<b>09 0324 90 06</b>

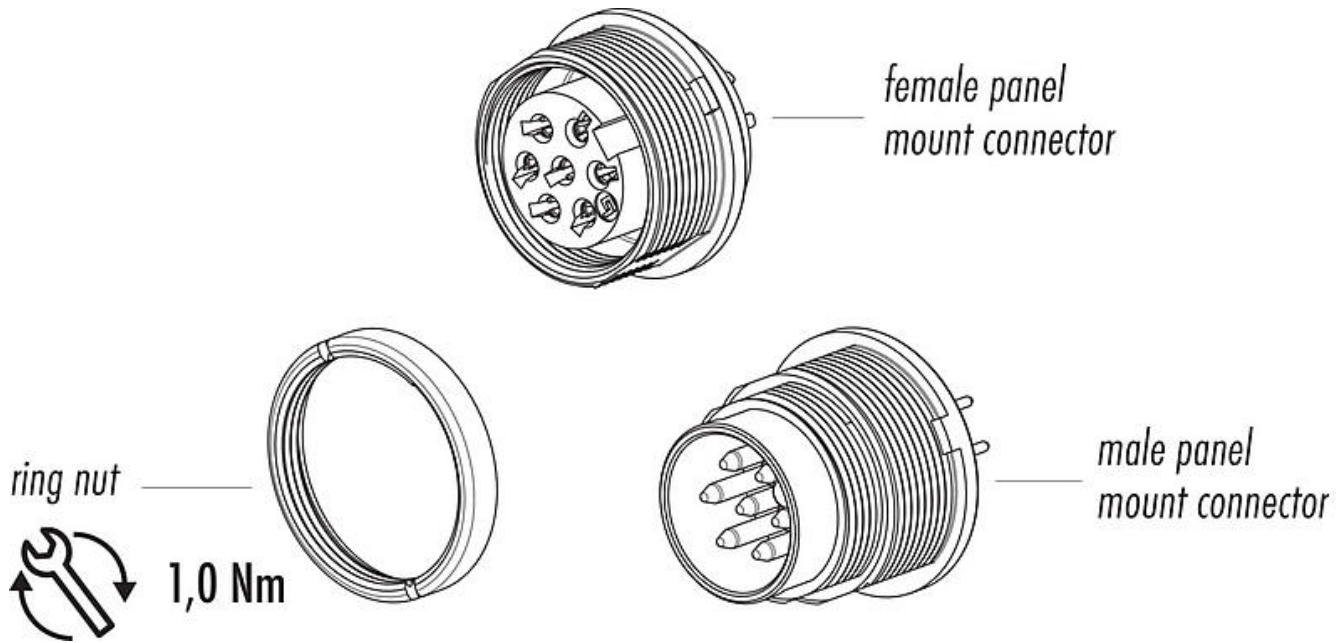
**Assembly instructions / Panel cut-out**



**Product data sheet**  
**Miniature connectors**

Product description	<b>M16 IP40 Female panel mount connector, Contacts: 6 (06-a), unshielded, THT, IP40, front fastened</b>
Area	<b>M16 IP40 series 680</b>
Part no.	<b>09 0324 90 06</b>

**Component part drawing**



Product description	<b>M16 IP40 Female panel mount connector, Contacts: 6 (06-a), unshielded, THT, IP40, front fastened</b>
Area	<b>M16 IP40 series 680</b>
Part no.	<b>09 0324 90 06</b>

## Security notices

The connector must not be plugged or unplugged under load. Non-observance and improper use can result in personal injury.

The connectors have been developed for applications in plant engineering, control and electrical equipment construction. The user is responsible for checking whether the connectors can also be used in other areas of application.

To protect against unintentional opening of the connector, the thread between the housing and the connector head must be secured with a suitable cyanoacrylate adhesive when used in circuits with voltages dangerous to the touch. This does not apply to connectors used in SELV and PELV circuits according to IEC 61140 (EN 61140, VDE 0140-1).

The plug connector is not suitable for mains voltages. Please observe the pollution degree and the overvoltage category. For further information, please refer to the download center "Technical Information".