

Product data sheet

Miniature connectors

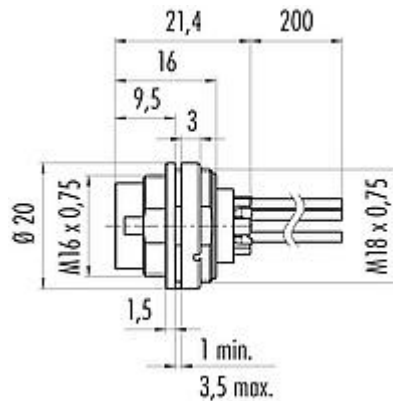


| | |
|---------------------|----------------------------------------------------------------------------------|
| Product description | M16 IP40 Male panel mount connector, Contacts: 7, unshielded, single wires, IP40 |
| Area | M16 IP40 series 680 |
| Part no. | 09 0327 702 07 |

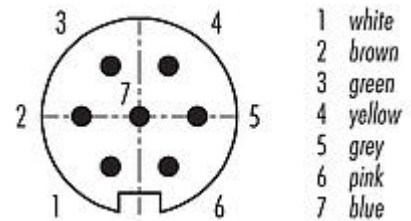
Illustration



Scale drawing



Contact arrangement (Plug-in side)



You can find the assembly instructions on the next page.

Technical data

General features

| | |
|-----------------------------|----------------------------|
| Part no. | 09 0327 702 07 |
| Connector design | Male panel mount connector |
| Version | Connector pin straight |
| Connector locking system | screw |
| Termination | single wires |
| Degree of protection | IP40 |
| Cross-sectional area | AWG 22 |
| Temperature range from/to | -30 °C / 85 °C |
| Tightening torque screw nut | 0.5-1 Nm |
| Mechanical operation | > 500 Mating cycles |
| Weight (g) | 20.19 |
| Customs tariff number | 85369010 |

Electrical parameters

| | |
|---------------------------|----------------------|
| Rated voltage | 100 V |
| Rated impulse voltage | 1200 V |
| Rated current (40 °C) | 5.0 A |
| Insulation resistance | ≥ 10 ¹⁰ Ω |
| Pollution degree | 1 |
| Overvoltage category | I |
| Insulating material group | II |
| EMC compliance | unshielded |

Product data sheet

Miniature connectors

| | |
|---------------------|----------------------------------------------------------------------------------|
| Product description | M16 IP40 Male panel mount connector, Contacts: 7, unshielded, single wires, IP40 |
| Area | M16 IP40 series 680 |
| Part no. | 09 0327 702 07 |

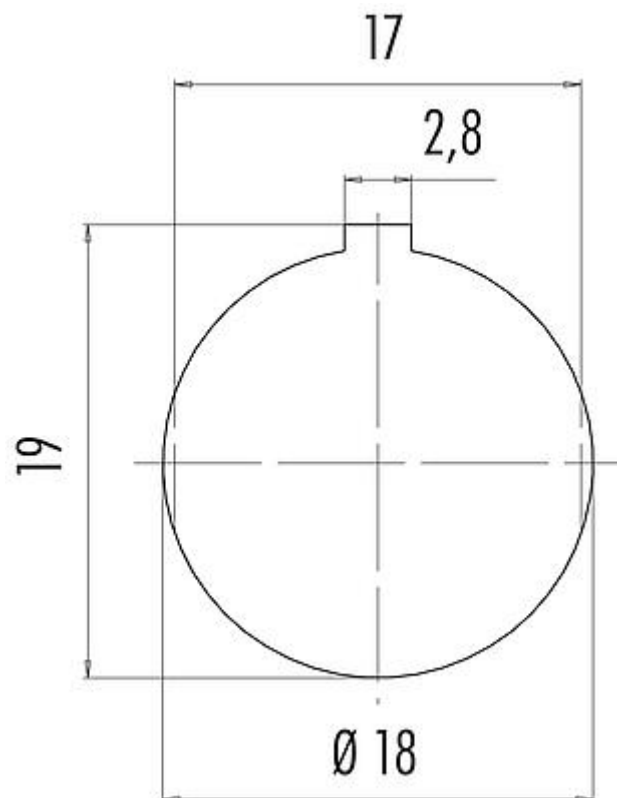
Material

| | |
|-----------------------|--------------------------------------|
| Contact body material | PBT (UL94 V-0) |
| Contact material | CuSn (bronze) |
| Contact plating | Ag (silver) |
| REACH SVHC | CAS 7439-92-1 (Lead) |
| SCIP number | 53304bdb-4d42-456c-83c4-0931aa22451a |

Classifications

| | |
|-------------|-------------|
| eCl@ss 11.1 | 27-44-01-09 |
| ETIM 7.0 | EC003569 |

Assembly instructions / Panel cut-out



Product data sheet

Miniature connectors



| | |
|---------------------|-----------------------------------------------------------------------------------------|
| Product description | M16 IP40 Male panel mount connector, Contacts: 7, unshielded, single wires, IP40 |
| Area | M16 IP40 series 680 |
| Part no. | 09 0327 702 07 |

Security notices

The connector must not be plugged or unplugged under load. Non-observance and improper use can result in personal injury.

The connectors have been developed for applications in plant engineering, control and electrical equipment construction. The user is responsible for checking whether the connectors can also be used in other areas of application.