

Product data sheet

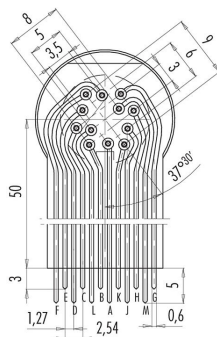
Miniature connectors

Product description	M16 IP40 female panel mount connector, Contacts: 12, unshielded, dip-solder, IP40, front mounting
Area	M16 IP40 series 680
Part no.	09 0332 65 12

Illustration

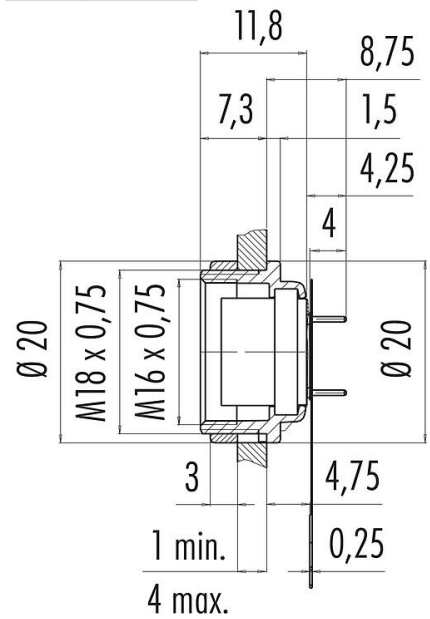


Flexplatte

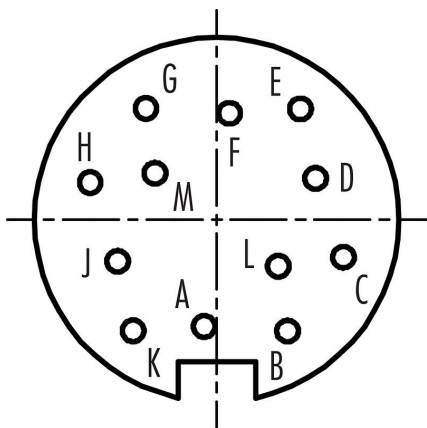


Scale drawing

einreihig/single-row



Contact arrangement (Plug-in side)



You can find the assembly instructions on the next page.

Technical data

Product data sheet

Miniature connectors



Product description	M16 IP40 female panel mount connector, Contacts: 12, unshielded, dip-solder, IP40, front mounting
Area	M16 IP40 series 680
Part no.	09 0332 65 12

General features

Part no.	09 0332 65 12
Connector design	female panel mount connector
Version	connector female straight
Connector locking system	screw
Termination	dip-solder
Degree of protection	IP40
Temperature range from/to	-40 °C / 85 °C
Tightening torque	0,5 - 1 Nm (screw nut)
Mechanical operation	> 500 Mating cycles
Weight (g)	12.51
Customs tariff number	85369010

Electrical parameters

Rated voltage	60 V
Rated impulse voltage	500 V
Rated current (40 °C)	2 A
Insulation resistance	$\geq 10^{10} \Omega$
Pollution degree	1
Overvoltage category	I
Insulating material group	III
EMC compliance	unshielded

Material

Housing material	Zinc die-cast nickel-plated
Contact body material	PBT (UL94 V-0)
Contact material	CuSn (bronze)
Contact plating	Au (gold)
REACH SVHC	CAS 7439-92-1 (Lead)
SCIP number	537ae8ef-21fa-4212-8a22-20889c656b06

Classifications

eCl@ss 11.1	27-44-01-09
ETIM 7.0	EC003569

Product description **M16 IP40 female panel mount connector, Contacts: 12, unshielded, dip-solder, IP40, front mounting**

Area **M16 IP40 series 680**
Part no. **09 0332 65 12**

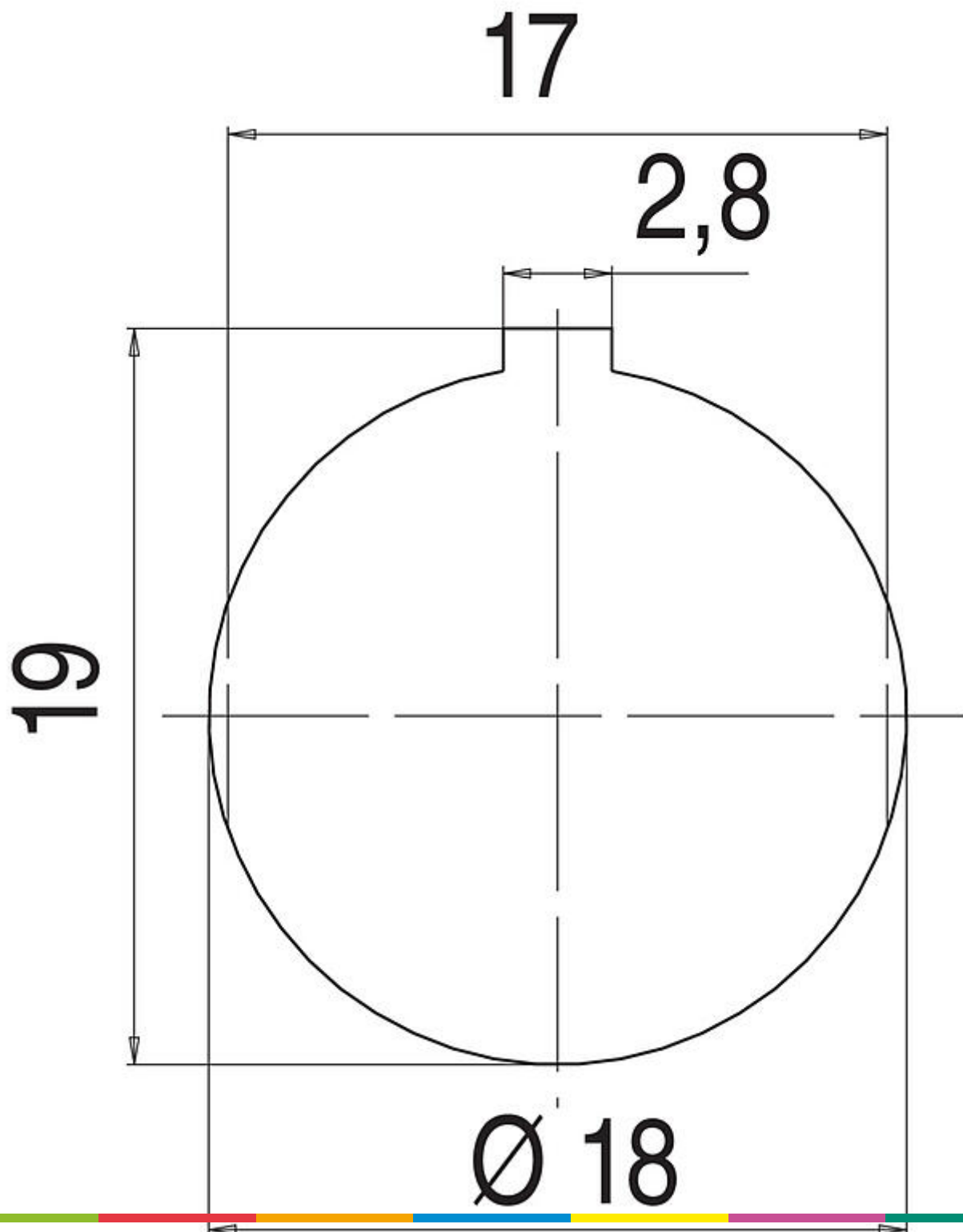
Product description **M16 IP40 female panel mount connector, Contacts: 12, unshielded, dip-solder, IP40, front mounting**

Area **M16 IP40 series 680**
Part no. **09 0332 65 12**

Product description M16 IP40 female panel mount connector, Contacts: 12, unshielded, dip-solder, IP40, front mounting

Area M16 IP40 series 680
Part no. 09 0332 65 12

Assembly instructions / Panel cut-out



Product data sheet

Miniature connectors



Product description	M16 IP40 female panel mount connector, Contacts: 12, unshielded, dip-solder, IP40, front mounting
Area	M16 IP40 series 680
Part no.	09 0332 65 12

Security notices

The connectors have been developed for applications in plant engineering, control and electrical equipment construction. The user is responsible for checking whether the connectors can also be used in other areas of application.