

# Product data sheet

## Miniature connectors

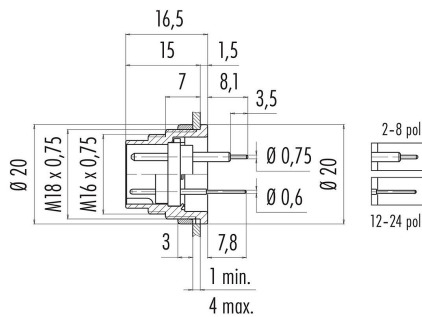


|                     |   |
|---------------------|---|
| Product description | M16 IP40 male panel mount connector, Contacts: 19, unshielded, dip-solder, IP40, front mounting |
| Area                | M16 IP40 series 680   |
| Order number        | 09 0335 90 19   |

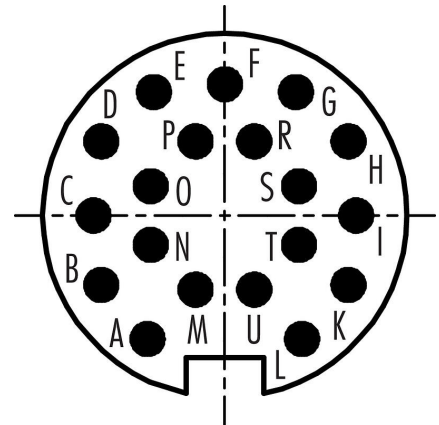
### Illustration



### Scale drawing



### Contact arrangement (Plug-in side)



You can find the assembly instructions on the next page.

## Technical data

### General features

|                           |                            |
|---------------------------|----------------------------|
| Order number              | 09 0335 90 19              |
| Connector design          | male panel mount connector |
| Version                   | connector male straight    |
| Connector locking system  | screw                      |
| Termination               | dip-solder                 |
| Degree of protection      | IP40                       |
| Temperature range from/to | -40 °C / 85 °C             |
| Mechanical operation      | > 500 Mating cycles        |
| Weight (g)                | 12.359                     |
| Customs tariff number     | 85369010                   |

### Electrical parameters

|                           |                       |
|---------------------------|-----------------------|
| Rated voltage             | 60 V                  |
| Rated impulse voltage     | 500 V                 |
| Rated current (40 °C)     | 3 A                   |
| Insulation resistance     | $\geq 10^{10} \Omega$ |
| Pollution degree          | 1                     |
| Overvoltage category      | I                     |
| Insulating material group | III                   |
| EMC compliance            | unshielded            |

# Product data sheet

## Miniature connectors



|                     |  |
|---------------------|--|
| Product description | <b>M16 IP40 male panel mount connector, Contacts: 19, unshielded, dip-solder, IP40, front mounting</b> |
| Area                | <b>M16 IP40 series 680</b>   |
| Order number        | <b>09 0335 90 19</b>   |

### Material

|                       |                             |
|-----------------------|-----------------------------|
| Housing material      | Zinc die-cast nickel-plated |
| Contact body material | PBT (UL94 V-0)              |
| Contact material      | CuZn (brass)                |
| Contact plating       | Au (gold)                   |
| REACH SVHC            | CAS 7439-92-1 (Lead)        |

### Classifications

|             |             |
|-------------|-------------|
| eCl@ss 11.1 | 27-44-01-09 |
| ETIM 7.0    | EC003569    |

Product description      **M16 IP40 male panel mount connector, Contacts: 19, unshielded, dip-solder, IP40, front mounting**

Area                              **M16 IP40 series 680**

Order number                **09 0335 90 19**

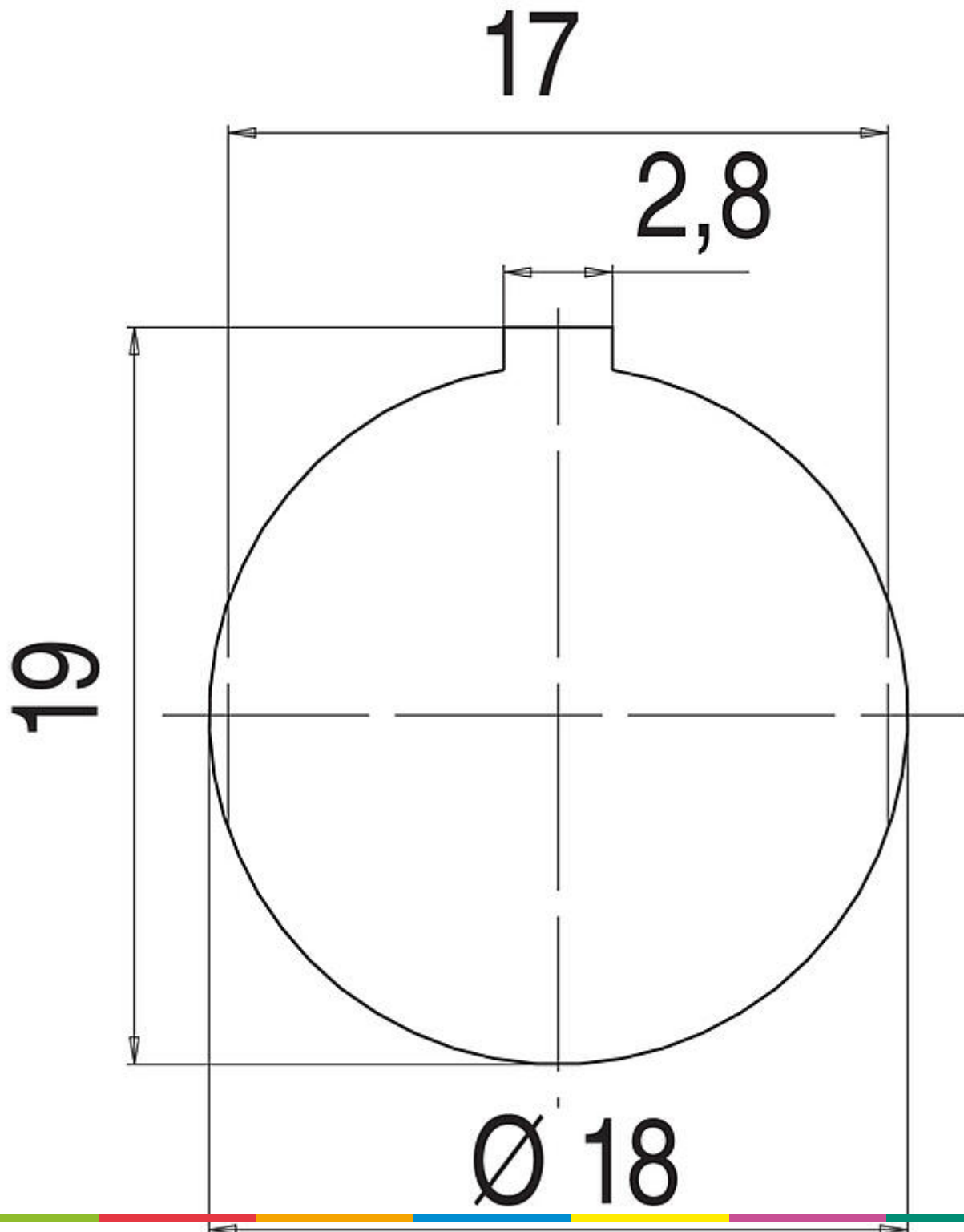
Product description      **M16 IP40 male panel mount connector, Contacts: 19, unshielded, dip-solder, IP40, front mounting**

Area                              **M16 IP40 series 680**

Order number                **09 0335 90 19**

|                     |   |
|---------------------|---|
| Product description | M16 IP40 male panel mount connector, Contacts: 19, unshielded, dip-solder, IP40, front mounting |
| Area                | M16 IP40 series 680   |
| Order number        | 09 0335 90 19   |

Assembly instructions / Panel cut-out



# Product data sheet

## Miniature connectors



|                     |   |
|---------------------|---|
| Product description | M16 IP40 male panel mount connector, Contacts: 19, unshielded, dip-solder, IP40, front mounting |
| Area                | M16 IP40 series 680   |
| Order number        | 09 0335 90 19   |

### Security notices

The connectors have been developed for applications in plant engineering, control and electrical equipment construction. The user is responsible for checking whether the connectors can also be used in other areas of application.