

Product data sheet

Automation Technology - Voltage and Power Supply

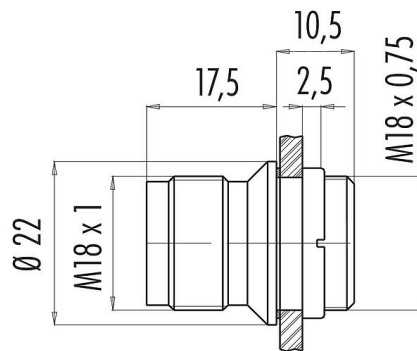


Product description	M18 Male panel mount connector, Contacts: 4, unshielded, solder, IP67
Area	M18 series 714
Part no.	09 0441 081 04

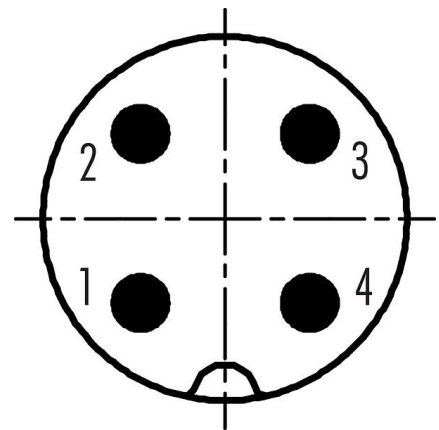
Illustration



Scale drawing



Contact arrangement (Plug-in side)



Technical data

General features

Part no.	09 0441 081 04
Connector design	Male panel mount connector
Version	Connector pin straight
Connector locking system	screw
Termination	solder
Degree of protection	IP67
Cross-sectional area	0.25 mm ² / AWG 24
Temperature range from/to	-40 °C / 95 °C
Mechanical operation	> 500 Mating cycles
Weight (g)	9.52
Customs tariff number	85369010

Electrical parameters

Rated voltage	60 V
Rated impulse voltage	500 V
Rated current (40 °C)	3,0 A
Insulation resistance	> 10 ⁸ Ω
Pollution degree	1
Overvoltage category	I
Insulating material group	III
EMC compliance	unshielded

Product data sheet

Automation Technology - Voltage and Power Supply



Product description	M18 Male panel mount connector, Contacts: 4, unshielded, solder, IP67
Area	M18 series 714
Part no.	09 0441 081 04

Material

Housing material	PBT/PA
Contact body material	PBT (UL94 V-0)
Contact material	CuSn (bronze)
Contact plating	Au (gold)
REACH SVHC	CAS 7439-92-1 (Lead)
SCIP number	63423f27-e9bd-4cb9-95a6-ce5fc411aa66

Classifications

eCl@ss 11.1	27-44-01-09
ETIM 7.0	EC003569

Product description	M18 Male panel mount connector, Contacts: 4, unshielded, solder, IP67
Area	M18 series 714
Part no.	09 0441 081 04

Security notices

The connector must not be plugged or unplugged under load. Non-observance and improper use can result in personal injury.

The connectors have been developed for applications in plant engineering, control and electrical equipment construction. The user is responsible for checking whether the connectors can also be used in other areas of application.

To protect against unintentional opening of the connector, the thread between the housing and the connector head must be secured with a suitable cyanoacrylate adhesive when used in circuits with voltages dangerous to the touch. This does not apply to connectors used in SELV and PELV circuits according to IEC 61140 (EN 61140, VDE 0140-1).

Plug connectors with enclosure protection IP67 and IP68 are not suitable for use under water. When used outdoors, the plug connectors must be protected separately against corrosion. For further information on the IP protection classes, please refer to the "Technical Information" download centre.