

Product data sheet

Miniature connectors



Product description **M16 IP40 Male panel mount connector, Contacts: 8 (08-a), shieldable, THT, IP40, front fastened**

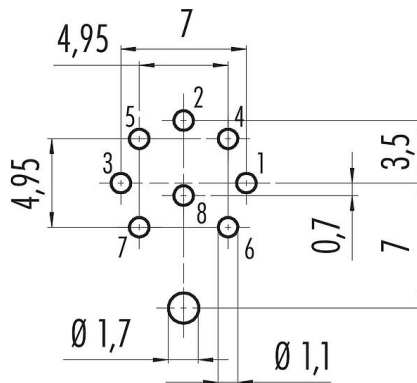
Area **M16 IP40 series 680**

Part no. **09 0473 290 08**

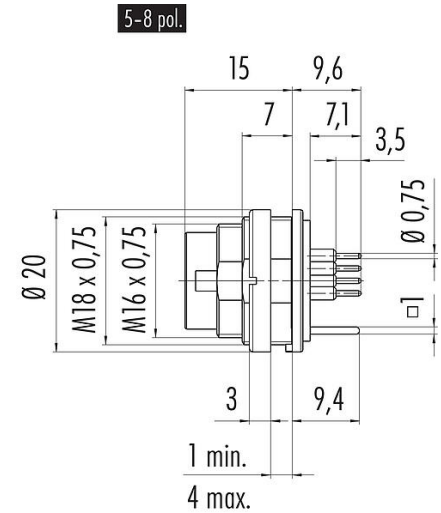
Illustration



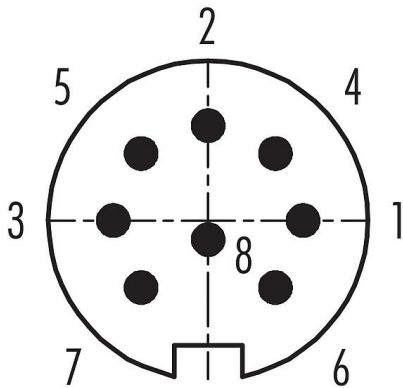
Conductor layout



Scale drawing



Contact arrangement (Plug-in side)



You can find the component part drawing and assembly instructions on the next page.

Technical data

General features

Part no.	09 0473 290 08
Connector design	Male panel mount connector
Version	Connector pin straight
Connector locking system	screw

Product data sheet

Miniature connectors



Product description	M16 IP40 Male panel mount connector, Contacts: 8 (08-a), shieldable, THT, IP40, front fastened
Area	M16 IP40 series 680
Part no.	09 0473 290 08

Termination	THT
Degree of protection	IP40
Temperature range from/to	-40 °C / 85 °C
Mechanical operation	> 500 Mating cycles
Weight (g)	15.00
Customs tariff number	85369010

Electrical parameters

Rated voltage	60 V
Rated impulse voltage	500 V
Rated current (40 °C)	5.0 A
Insulation resistance	$\geq 10^{10} \Omega$
Pollution degree	1
Overvoltage category	I
Insulating material group	III
EMC compliance	shieldable
Shield connection	Shield pin

Material

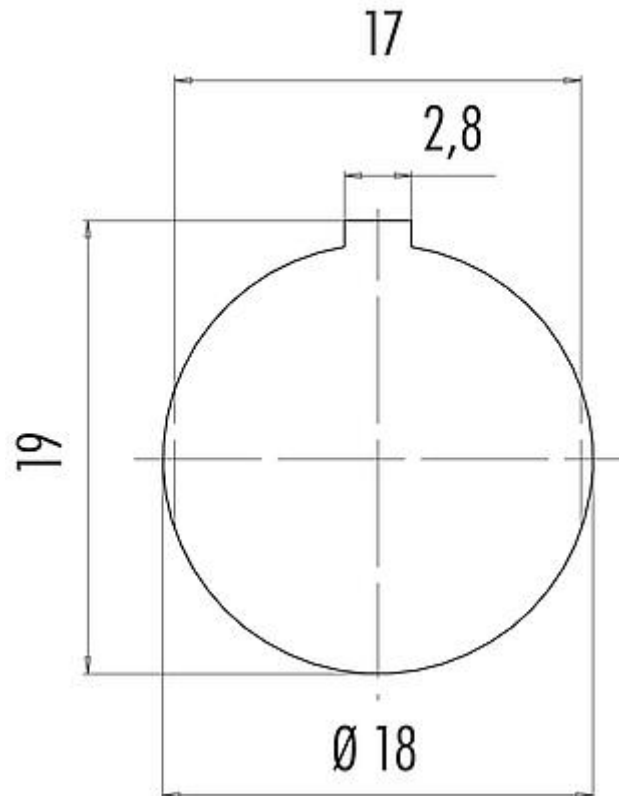
Contact body material	PBT (UL94 V-0)
Contact material	CuZn (brass)
Contact plating	Ag (silver)
REACH SVHC	CAS 7439-92-1 (Lead)
SCIP number	d774e97d-ee3c-418b-8aaf-07fb62e09b86

Classifications

eCl@ss 11.1	27-44-01-09
ETIM 7.0	EC003569

Product description	M16 IP40 Male panel mount connector, Contacts: 8 (08-a), shieldable, THT, IP40, front fastened
Area	M16 IP40 series 680
Part no.	09 0473 290 08

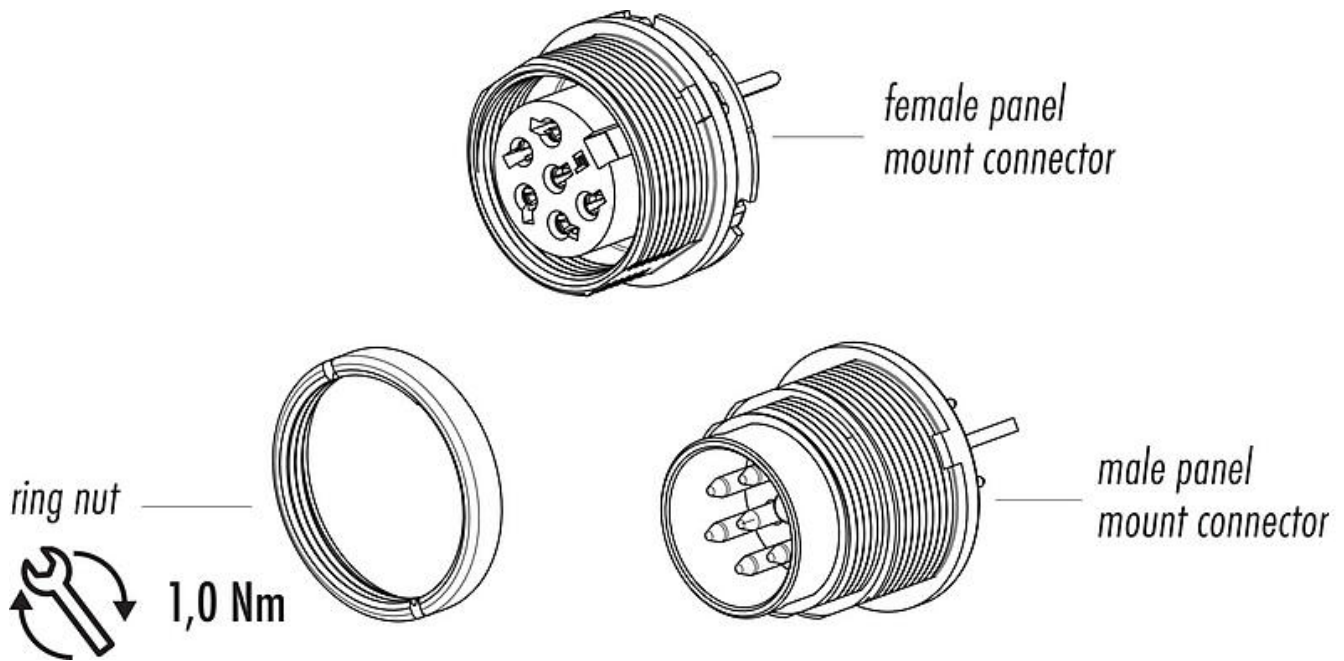
Assembly instructions / Panel cut-out



Product data sheet
Miniature connectors

Product description	M16 IP40 Male panel mount connector, Contacts: 8 (08-a), shieldable, THT, IP40, front fastened
Area	M16 IP40 series 680
Part no.	09 0473 290 08

Component part drawing



Product data sheet

Miniature connectors



Product description	M16 IP40 Male panel mount connector, Contacts: 8 (08-a), shieldable, THT, IP40, front fastened
Area	M16 IP40 series 680
Part no.	09 0473 290 08

Security notices

The connectors have been developed for applications in plant engineering, control and electrical equipment construction. The user is responsible for checking whether the connectors can also be used in other areas of application.