

# Product data sheet

## Miniature connectors



Product description **M16 IP40 Female panel mount connector, Contacts: 8 (08-a), unshielded, THT, IP40, front fastened**

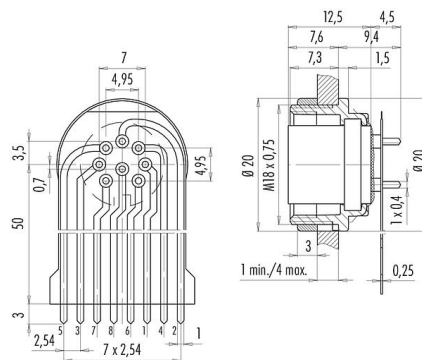
Area **M16 IP40 series 680**

Part no. **09 0474 65 08**

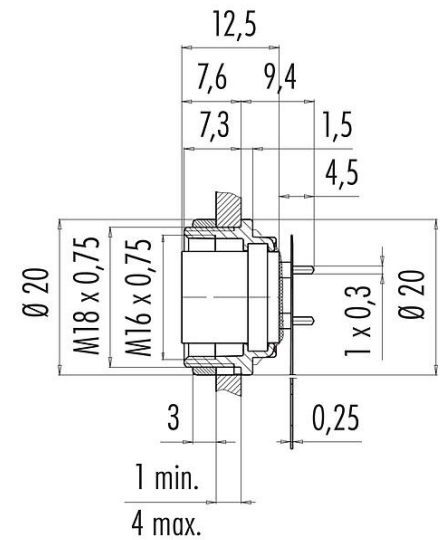
### Illustration



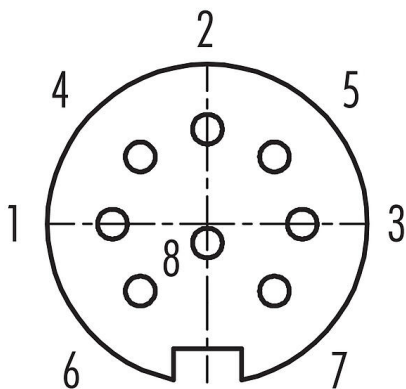
### Flexplatte



### Scale drawing



### Contact arrangement (Plug-in side)



You can find the assembly instructions on the next page.

### Technical data

#### General features

Part no.

**09 0474 65 08**

Connector design

Female panel mount connector

Version

Connector socket straight

# Product data sheet

## Miniature connectors



Product description	<b>M16 IP40 Female panel mount connector, Contacts: 8 (08-a), unshielded, THT, IP40, front fastened</b>
Area	<b>M16 IP40 series 680</b>
Part no.	<b>09 0474 65 08</b>

Connector locking system	screw
Termination	THT
Degree of protection	IP40
Temperature range from/to	-40 °C / 85 °C
Mechanical operation	> 500 Mating cycles
Weight (g)	10.94
Customs tariff number	85369010

### Electrical parameters

Rated voltage	60 V
Rated impulse voltage	500 V
Rated current (40 °C)	5.0 A
Insulation resistance	$\geq 10^{10} \Omega$
Pollution degree	1
Overvoltage category	I
Insulating material group	III
EMC compliance	unshielded

### Material

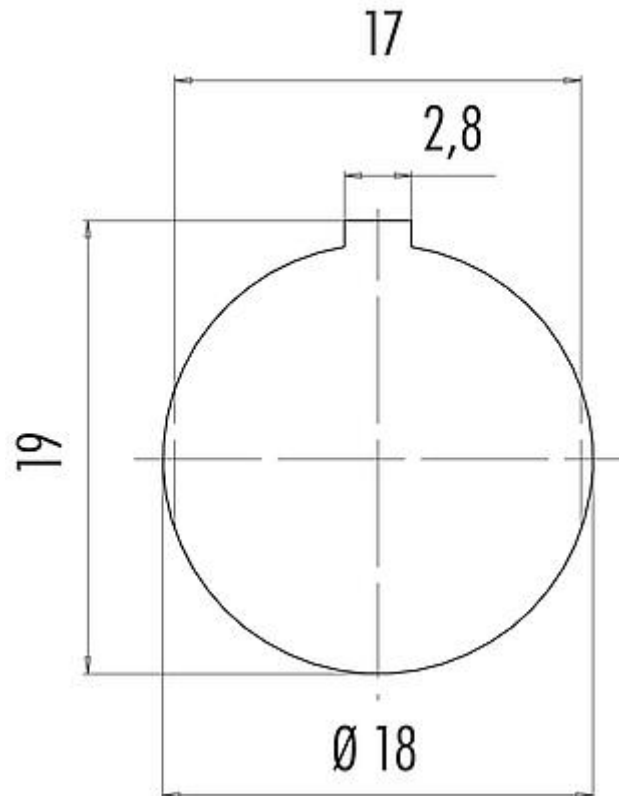
Housing material	Zinc die-cast nickel-plated
Contact body material	PBT (UL94 V-0)
Contact material	CuSn (bronze)
Contact plating	Ag (silver)
REACH SVHC	CAS 7439-92-1 (Lead)
SCIP number	14962999-25f3-49e5-b886-b2ef078dbb02

### Classifications

eCl@ss 11.1	27-44-01-09
ETIM 7.0	EC003569

Product description	<b>M16 IP40 Female panel mount connector, Contacts: 8 (08-a), unshielded, THT, IP40, front fastened</b>
Area	<b>M16 IP40 series 680</b>
Part no.	<b>09 0474 65 08</b>

**Assembly instructions / Panel cut-out**



# Product data sheet

## Miniature connectors



Product description	<b>M16 IP40 Female panel mount connector, Contacts: 8 (08-a), unshielded, THT, IP40, front fastened</b>
Area	<b>M16 IP40 series 680</b>
Part no.	<b>09 0474 65 08</b>

### Security notices

The connectors have been developed for applications in plant engineering, control and electrical equipment construction. The user is responsible for checking whether the connectors can also be used in other areas of application.