

Product data sheet

Miniature connectors

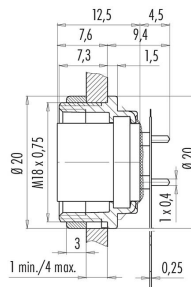
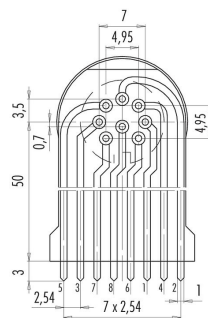


Product description	M16 IP40 female panel mount connector, Contacts: 8 DIN, unshielded, dip-solder, IP40, front mounting
Area	M16 IP40 series 680
Part no.	09 0474 65 08

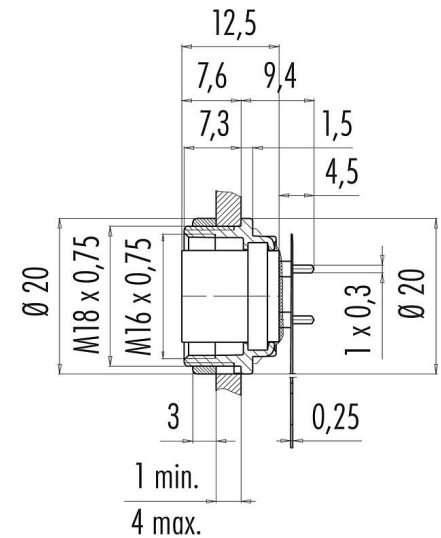
Illustration



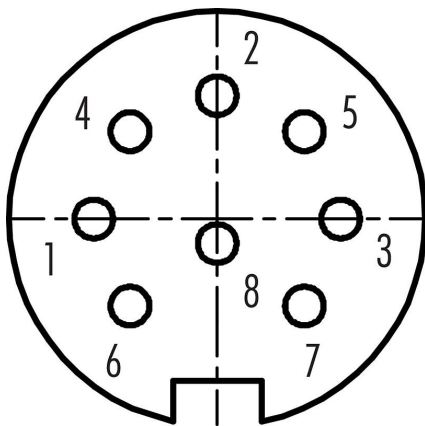
Flexplatte



Scale drawing



Contact arrangement (Plug-in side)



You can find the assembly instructions on the next page.

Technical data

General features

Part no.	09 0474 65 08
Connector design	female panel mount connector
Version	connector female straight

Product data sheet

Miniature connectors



Product description	M16 IP40 female panel mount connector, Contacts: 8 DIN, unshielded, dip-solder, IP40, front mounting
Area	M16 IP40 series 680
Part no.	09 0474 65 08

Connector locking system	screw
Termination	dip-solder
Degree of protection	IP40
Temperature range from/to	-40 °C / 85 °C
Tightening torque	0,5 - 1 Nm (screw nut)
Mechanical operation	> 500 Mating cycles
Weight (g)	10.94
Customs tariff number	85369010

Electrical parameters

Rated voltage	60 V
Rated impulse voltage	500 V
Rated current (40 °C)	5 A
Insulation resistance	$\geq 10^{10} \Omega$
Pollution degree	1
Overvoltage category	I
Insulating material group	III
EMC compliance	unshielded

Material

Housing material	Zinc die-cast nickel-plated
Contact body material	PBT (UL94 V-0)
Contact material	CuSn (bronze)
Contact plating	Ag (silver)
REACH SVHC	CAS 7439-92-1 (Lead)
SCIP number	14962999-25f3-49e5-b886-b2ef078dbb02

Classifications

eCl@ss 11.1	27-44-01-09
ETIM 7.0	EC003569

Product data sheet
Miniature connectors



Product description	M16 IP40 female panel mount connector, Contacts: 8 DIN, unshielded, dip-solder, IP40, front mounting
Area	M16 IP40 series 680
Part no.	09 0474 65 08

Product data sheet
Miniature connectors

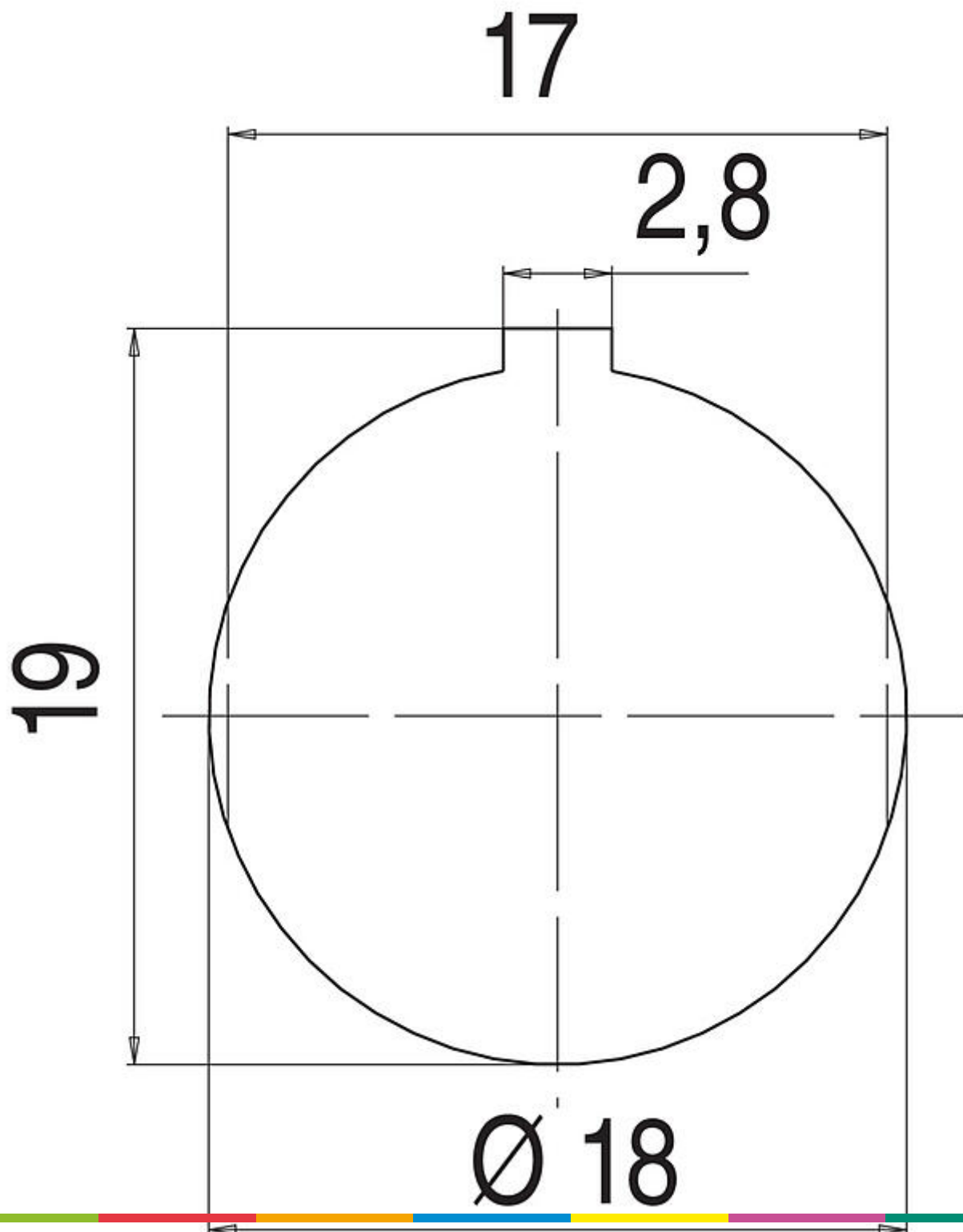


Product description	M16 IP40 female panel mount connector, Contacts: 8 DIN, unshielded, dip-solder, IP40, front mounting
Area	M16 IP40 series 680
Part no.	09 0474 65 08

Product description M16 IP40 female panel mount connector, Contacts: 8 DIN, unshielded, dip-solder, IP40, front mounting

Area M16 IP40 series 680
Part no. 09 0474 65 08

Assembly instructions / Panel cut-out



Product data sheet

Miniature connectors



Product description	M16 IP40 female panel mount connector, Contacts: 8 DIN, unshielded, dip-solder, IP40, front mounting
Area	M16 IP40 series 680
Part no.	09 0474 65 08

Security notices

The connectors have been developed for applications in plant engineering, control and electrical equipment construction. The user is responsible for checking whether the connectors can also be used in other areas of application.