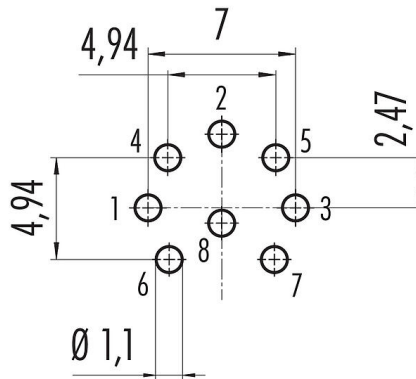


Product description	<b>M16 IP40 Female panel mount connector, Contacts: 8 (08-a), unshielded, THT, IP40, front fastened</b>
Area	<b>M16 IP40 series 680</b>
Part no.	<b>09 0474 90 08</b>

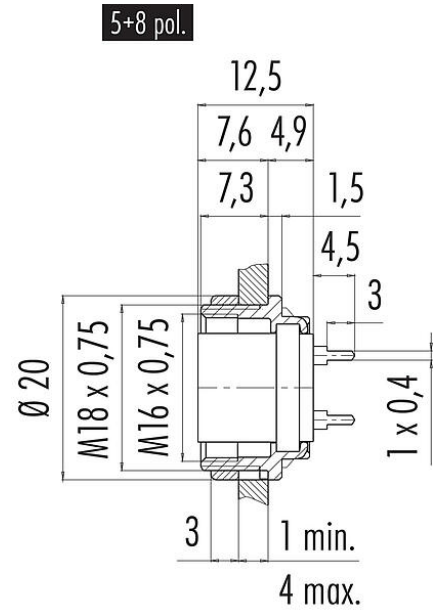
**Illustration**



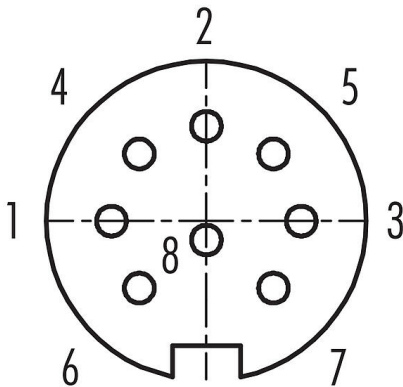
**Conductor layout**



**Scale drawing**



**Contact arrangement (Plug-in side)**



You can find the component part drawing and assembly instructions on the next page.

**Technical data**

# Product data sheet

## Miniature connectors



Product description	<b>M16 IP40 Female panel mount connector, Contacts: 8 (08-a), unshielded, THT, IP40, front fastened</b>
Area	<b>M16 IP40 series 680</b>
Part no.	<b>09 0474 90 08</b>

### General features

Part no.	<b>09 0474 90 08</b>
Connector design	Female panel mount connector
Version	Connector socket straight
Connector locking system	screw
Termination	THT
Degree of protection	IP40
Temperature range from/to	-40 °C / 85 °C
Mechanical operation	> 500 Mating cycles
Weight (g)	8.91
Customs tariff number	85369010

### Electrical parameters

Rated voltage	60 V
Rated impulse voltage	500 V
Rated current (40 °C)	5.0 A
Insulation resistance	$\geq 10^{10} \Omega$
Pollution degree	1
Overvoltage category	I
Insulating material group	III
EMC compliance	unshielded

### Material

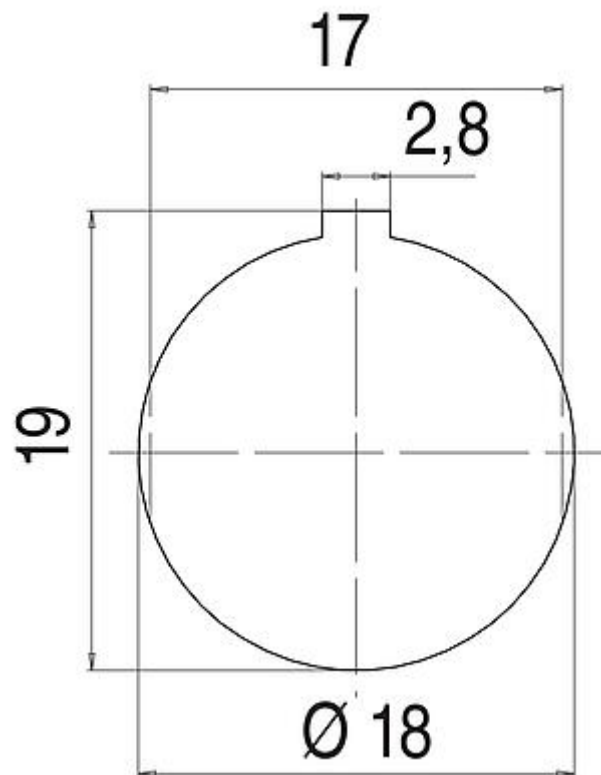
Housing material	Zinc die-cast nickel-plated
Contact body material	PBT (UL94 V-0)
Contact material	CuSn (bronze)
Contact plating	Ag (silver)
REACH SVHC	CAS 7439-92-1 (Lead)
SCIP number	SCIP-number not available

### Classifications

eCl@ss 11.1	27-44-01-09
ETIM 7.0	EC003569

Product description	<b>M16 IP40 Female panel mount connector, Contacts: 8 (08-a), unshielded, THT, IP40, front fastened</b>
Area	<b>M16 IP40 series 680</b>
Part no.	<b>09 0474 90 08</b>

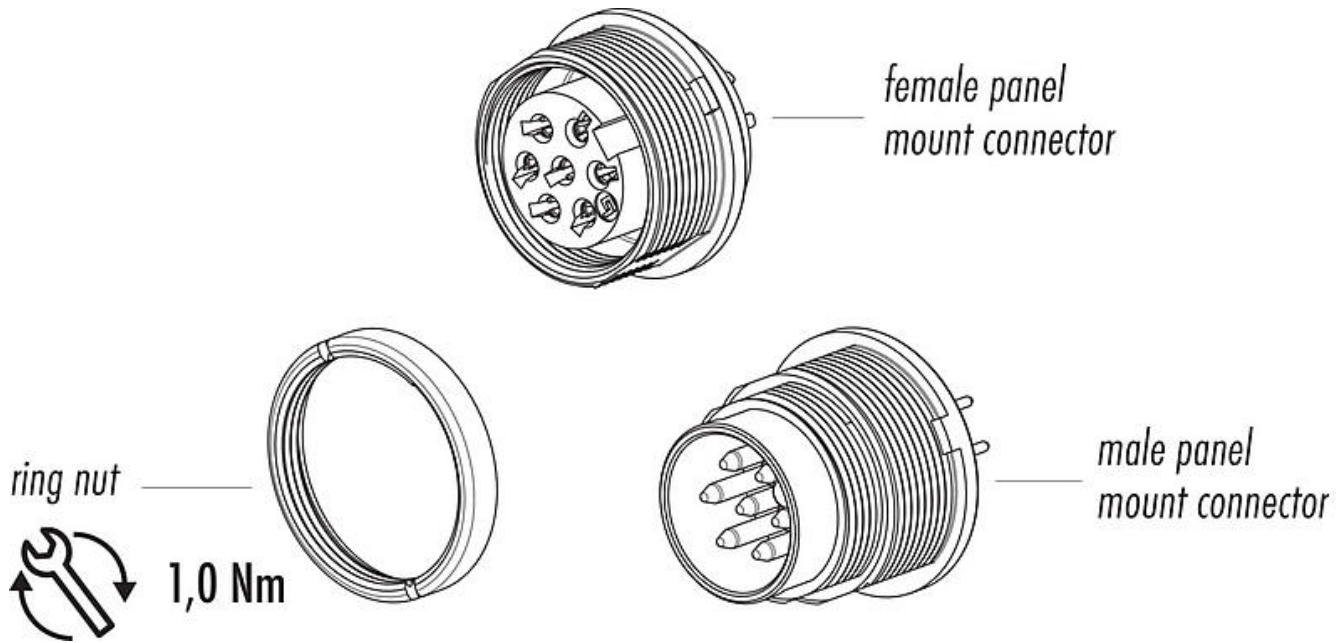
**Assembly instructions / Panel cut-out**



**Product data sheet**  
**Miniature connectors**

Product description	<b>M16 IP40 Female panel mount connector, Contacts: 8 (08-a), unshielded, THT, IP40, front fastened</b>
Area	<b>M16 IP40 series 680</b>
Part no.	<b>09 0474 90 08</b>

**Component part drawing**



# Product data sheet

## Miniature connectors



Product description	<b>M16 IP40 Female panel mount connector, Contacts: 8 (08-a), unshielded, THT, IP40, front fastened</b>
Area	<b>M16 IP40 series 680</b>
Part no.	<b>09 0474 90 08</b>

### Security notices

The connectors have been developed for applications in plant engineering, control and electrical equipment construction. The user is responsible for checking whether the connectors can also be used in other areas of application.