

Product data sheet

Subminiature connectors



Product description **M9 IP40 Female panel mount connector, Contacts: 7, unshielded, THT, IP40**

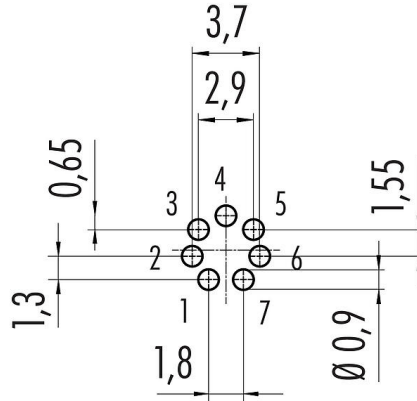
Area **M9 IP40 series 711**

Part no. **09 0478 65 07**

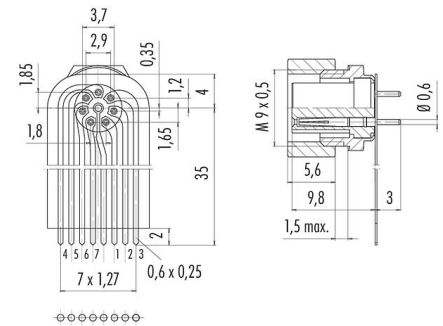
Illustration



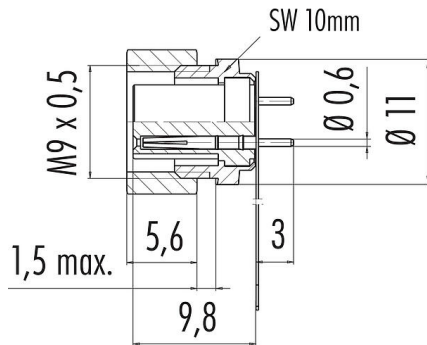
Conductor layout



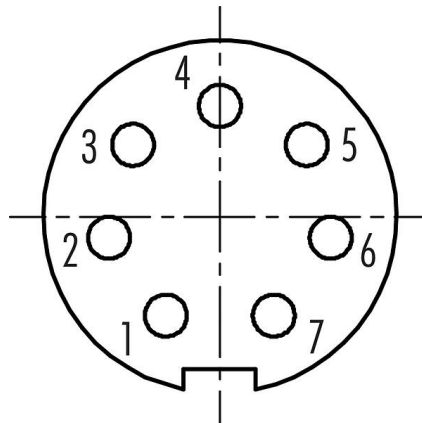
Flexplatte



Scale drawing



Contact arrangement (Plug-in side)



You can find the assembly instructions on the next page.

Technical data

General features

Part no.	09 0478 65 07
Connector design	Female panel mount connector
Version	Connector socket straight
Connector locking system	screw
Termination	THT
Degree of protection	IP40
Temperature range from/to	-40 °C / 85 °C

Product data sheet

Subminiature connectors



Product description **M9 IP40 Female panel mount connector, Contacts: 7, unshielded, THT, IP40**

Area **M9 IP40 series 711**
Part no. **09 0478 65 07**

Mechanical operation > 500 Mating cycles

Weight (g) 3.31

Customs tariff number 85369010

Electrical parameters

Rated voltage 125 V

Rated impulse voltage 1500 V

Rated current (40 °C) 1.0 A

Insulation resistance $\geq 10^{10} \Omega$

Pollution degree 1

Overvoltage category II

Insulating material group III

EMC compliance unshielded

Material

Contact body material PA (UL94 V-0)

Contact material CuSn (bronze)

Contact plating Au (gold)

REACH SVHC CAS 7439-92-1 (Lead)

SCIP number 78f1927c-1c34-419e-8eb1-e7e36e013245

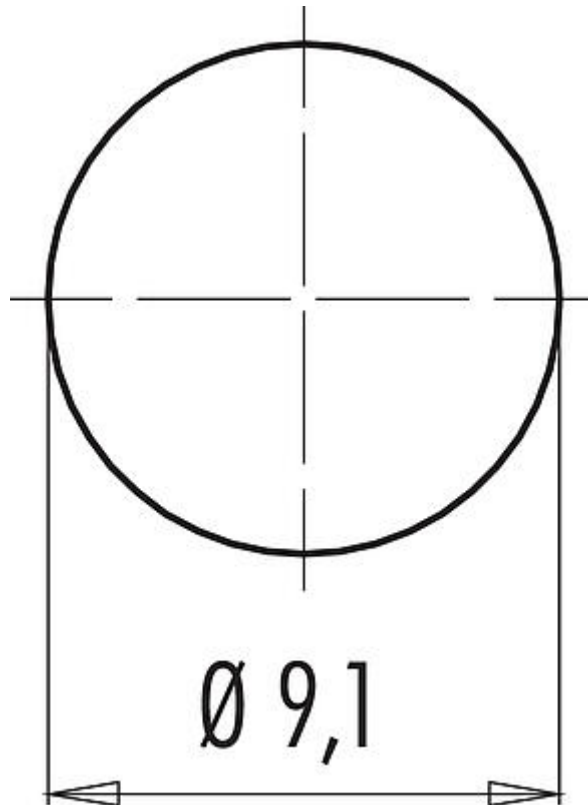
Classifications

eCl@ss 11.1 27-44-01-09

ETIM 7.0 EC003569

Product description	M9 IP40 Female panel mount connector, Contacts: 7, unshielded, THT, IP40
Area	M9 IP40 series 711
Part no.	09 0478 65 07

Assembly instructions / Panel cut-out



Product data sheet

Subminiature connectors



Product description	M9 IP40 Female panel mount connector, Contacts: 7, unshielded, THT, IP40
Area	M9 IP40 series 711
Part no.	09 0478 65 07

Security notices

The connector must not be plugged or unplugged under load. Non-observance and improper use can result in personal injury.

The connectors have been developed for applications in plant engineering, control and electrical equipment construction. The user is responsible for checking whether the connectors can also be used in other areas of application.