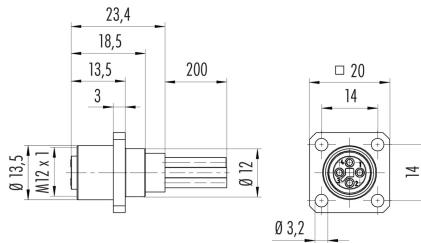


Product description	M12-T square female panel mount connector, Contacts: 4, unshielded, single wires, IP40, UL
Area	M12-T series 813
Part no.	09 0632 070 04

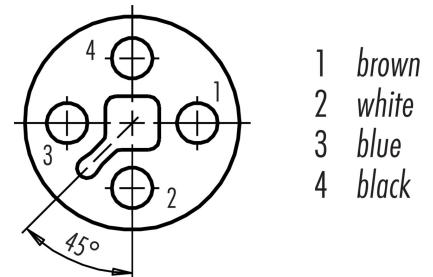
Illustration



Scale drawing



Contact arrangement (Plug-in side)



You can find the assembly instructions on the next page.

Technical data

General features

Part no.	09 0632 070 04
Connector design	square female panel mount connector
Version	connector female straight
Connector locking system	screw
Termination	single wires
Degree of protection	IP40 IP67 with seal, see accessories
Cross-sectional area	1.38 mm ² / AWG 16
Temperature range from/to	-40 °C / 85 °C
Mechanical operation	> 100 Mating cycles
Weight (g)	27.88
Customs tariff number	85369010

Electrical parameters

Rated voltage	63 V
Rated impulse voltage	1500 V
Rated current (40 °C)	12 A
Pollution degree	3
Overvoltage category	III
Insulating material group	II
EMC compliance	unshielded

Automation technology - voltage and power supply

Product description	M12-T square female panel mount connector, Contacts: 4, unshielded, single wires, IP40, UL
Area	M12-T series 813
Part no.	09 0632 070 04

Material

Contact body material	PA
Contact material	CuSn (bronze)
Contact plating	Au (gold)
REACH SVHC	CAS 7439-92-1 (Lead)
SCIP number	5b86f454-e3a6-4554-b007-66603068e5d1

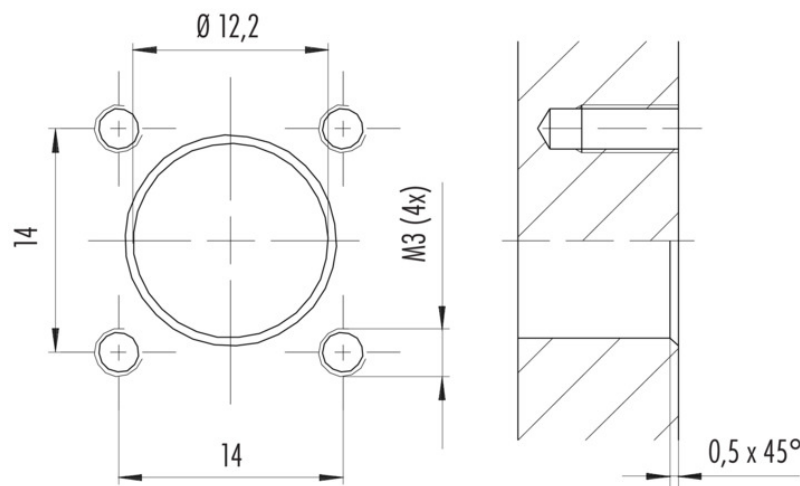
Authorization/approvals

Approvals	UL
-----------	----

Classifications

eCl@ss 11.1	27-44-01-09
ETIM 7.0	EC003569

Assembly instructions / Panel cut-out



Voraussetzungen für Schutzart IP67:

1. Verwendung von Dichtung, Best.-Nr. 16 0959 000
2. Gewinde M3 (4x) als Gewindesacklöcher oder Schraubenköpfe abgedichtet

Requirements for Degree of protection IP67:

1. Use of sealing, Ordering-No. 16 0959 000
2. M3 thread (4x) sealed as a threaded blind holes or screw heads

Product description	M12-T square female panel mount connector, Contacts: 4, unshielded, single wires, IP40, UL
Area	M12-T series 813
Part no.	09 0632 070 04

Security notices

The connectors have been developed for applications in plant engineering, control and electrical equipment construction. The user is responsible for checking whether the connectors can also be used in other areas of application.