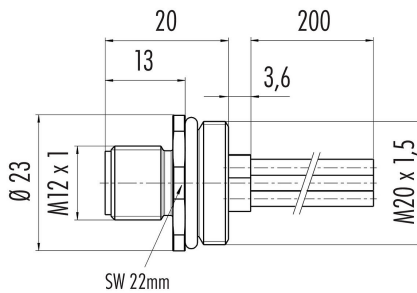


Product description	M12-S male panel mount connector, Contacts: 3+PE, unshielded, single wires, IP68, UL, VDE, M20x1.5
Area	M12-S series 814
Part no.	09 0691 642 04

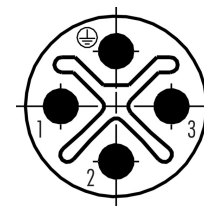
Illustration



Scale drawing



Contact arrangement (Plug-in side)



- 1 black
- 2 black
- 3 black
- PE yellow/green

You can find the assembly instructions on the next page.

Technical data

General features

Part no.	09 0691 642 04
Connector design	male panel mount connector
Version	connector male straight
Connector locking system	screw
Termination	single wires
Degree of protection	IP68
Cross-sectional area	1.38 mm ² / AWG 16
Temperature range from/to	-40 °C / 85 °C
Mechanical operation	> 100 Mating cycles
Weight (g)	29.50
Customs tariff number	85369010

Electrical parameters

Rated voltage	630 V
Rated impulse voltage	6000 V
Rated current (40 °C)	12 A
Pollution degree	3
Overvoltage category	III
Insulating material group	II
EMC compliance	unshielded

Material

Contact body material	PA
-----------------------	----

Product description	M12-S male panel mount connector, Contacts: 3+PE, unshielded, single wires, IP68, UL, VDE, M20x1.5
Area	M12-S series 814
Part no.	09 0691 642 04

Contact material	CuZn (brass)
Contact plating	Au (gold)
REACH SVHC	CAS 7439-92-1 (Lead)
SCIP number	ae21793f-22f9-41ff-b883-dfa7dad9d09a

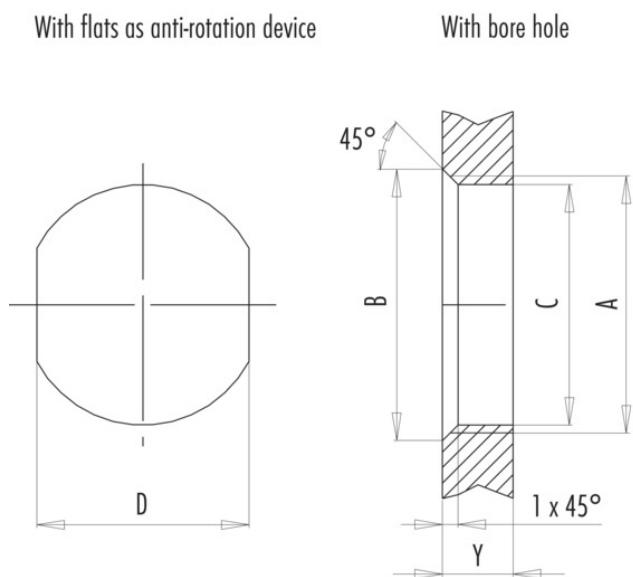
Authorization/approvals

Approvals	UL, VDE
-----------	---------

Classifications

eCl@ss 11.1	27-44-01-09
ETIM 7.0	EC003569

Assembly instructions / Panel cut-out



Thread	Measures			Tightening torque	
	B (mm)	C (mm)	D (mm)	Metal	Plastic
M16 x 1,5	17,0	16,1	13,5	1,25 Nm	1,25 Nm
M20 x 1,5	21,6	20,1	–	2 Nm	1,25 Nm

Thickness of wall Y (mm)		
Version	min (mm)	max (mm)
Fastened from rear	2	3,5
Front fastened	2	4,5
Screw clamp	2	3,5

Installation direction: o-ring sits on chamfer.

Product description	M12-S male panel mount connector, Contacts: 3+PE, unshielded, single wires, IP68, UL, VDE, M20x1.5
Area	M12-S series 814
Part no.	09 0691 642 04

Security notices

The connector must not be plugged or unplugged under load. Non-observance and improper use can result in personal injury.

The connectors have been developed for applications in plant engineering, control and electrical equipment construction. The user is responsible for checking whether the connectors can also be used in other areas of application.

The user must take suitable safety precautions to ensure that the connector cannot be accidentally disconnected.

Plug connectors with enclosure protection IP 67 and IP 68 are not suitable for use under water. When used outdoors, the plug connectors must be protected separately against corrosion. For further information on the IP protection classes, please refer to the "Technical Information" download centre.