

## Product data sheet

# Automation Technology - Voltage and Power Supply



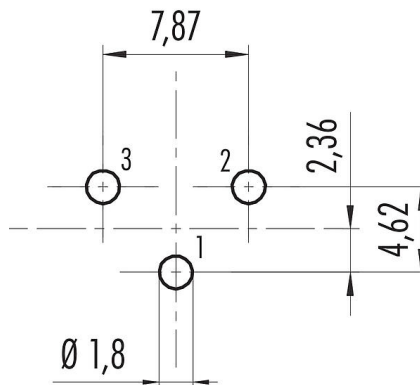
Product description **7/8" Female panel mount connector, Contacts: 2+PE, unshielded, THT, IP68, UL, VDE**

Area **7/8" series 820**  
Part no. **09 2446 330 03**

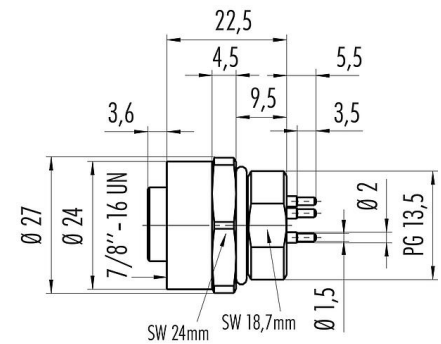
### Illustration



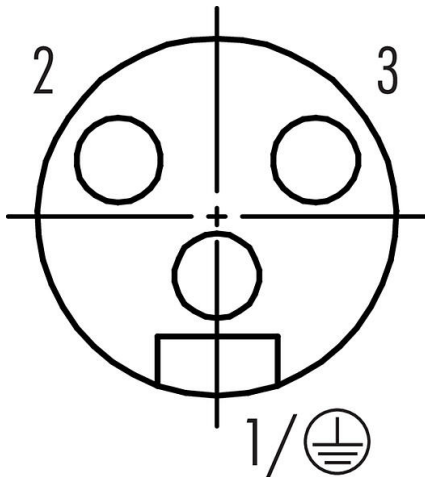
### Conductor layout



### Scale drawing



### Contact arrangement (Plug-in side)



### Technical data

#### General features

Part no.	<b>09 2446 330 03</b>
Connector design	Female panel mount connector
Version	Connector socket straight
Connector locking system	screw
Termination	THT



## Product data sheet

# Automation Technology - Voltage and Power Supply



Product description	<b>7/8" Female panel mount connector, Contacts: 2+PE, unshielded, THT, IP68, UL, VDE</b>
Area	<b>7/8" series 820</b>
Part no.	<b>09 2446 330 03</b>

Degree of protection	IP68
Cross-sectional area	0.75 mm <sup>2</sup> / AWG 18
Temperature range from/to	-25 °C / 85 °C
Mechanical operation	> 100 Mating cycles
Weight (g)	28.98
Customs tariff number	85369010

### Electrical parameters

Rated voltage	300 V (600 V UL)
Rated impulse voltage	4000 V
Rated current (40 °C)	10.0 A
Pollution degree	3
Overvoltage category	III
Insulating material group	I
EMC compliance	unshielded

### Material

Housing material	CuZn (Brass nickel plated)
Contact body material	PUR
Contact material	CuZn (brass)
Contact plating	Au (gold)
REACH SVHC	CAS 7439-92-1 (Lead)
SCIP number	9ca6b6af-6a46-4ba1-b2e4-32df01243f03

### Authorization/approvals

Approvals	UL, VDE
-----------	---------

### Classifications

eCl@ss 11.1	27-44-01-09
ETIM 7.0	EC003569

Product description	<b>7/8" Female panel mount connector, Contacts: 2+PE, unshielded, THT, IP68, UL, VDE</b>
Area	<b>7/8" series 820</b>
Part no.	<b>09 2446 330 03</b>

### **Security notices**

The connector must not be plugged or unplugged under load. Non-observance and improper use can result in personal injury.

The connectors have been developed for applications in plant engineering, control and electrical equipment construction. The user is responsible for checking whether the connectors can also be used in other areas of application.

The user must take suitable safety precautions to ensure that the connector cannot be accidentally disconnected.

Plug connectors with enclosure protection IP67 and IP68 are not suitable for use under water. When used outdoors, the plug connectors must be protected separately against corrosion. For further information on the IP protection classes, please refer to the "Technical Information" download centre.