

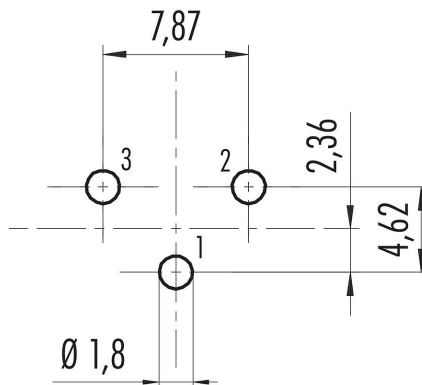
Product description 7/8" female panel mount connector, Contacts: 2+PE, unshielded, dip-solder, IP68, UL, VDE

Area 7/8" series 820
Part no. 09 2446 330 03

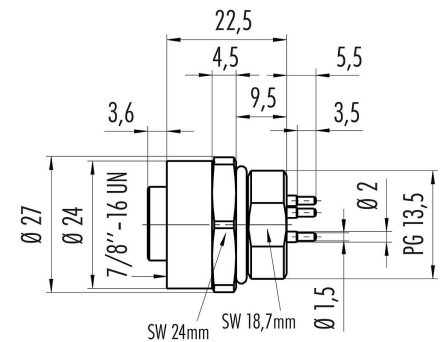
Illustration



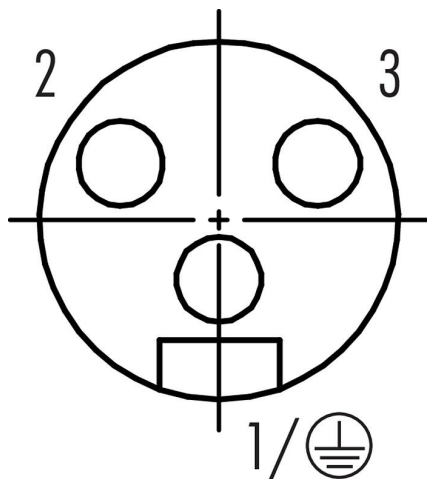
Conductor layout



Scale drawing



Contact arrangement (Plug-in side)



You can find the assembly instructions on the next page.

Technical data

General features

Part no.	09 2446 330 03
Connector design	female panel mount connector
Version	connector female straight
Connector locking system	screw

Product description	7/8" female panel mount connector, Contacts: 2+PE, unshielded, dip-solder, IP68, UL, VDE
Area	7/8" series 820
Part no.	09 2446 330 03

Termination	dip-solder
Degree of protection	IP68
Cross-sectional area	0.75 mm ² / AWG 18
Temperature range from/to	-25 °C / 85 °C
Mechanical operation	> 100 Mating cycles
Weight (g)	28.98
Customs tariff number	85369010

Electrical parameters

Rated voltage	300 V (UL 600 V)
Rated impulse voltage	4000 V
Rated current (40 °C)	10 A
Pollution degree	3
Overvoltage category	III
Insulating material group	I
EMC compliance	unshielded

Material

Housing material	CuZn (Brass nickel plated)
Contact body material	PUR
Contact material	CuZn (brass)
Contact plating	Au (gold)
REACH SVHC	CAS 7439-92-1 (Lead)
SCIP number	9ca6b6af-6a46-4ba1-b2e4-32df01243f03

Authorization/approvals

Approvals	UL, VDE
-----------	---------

Classifications

eCl@ss 11.1	27-44-01-09
ETIM 7.0	EC003569

Product description	7/8" female panel mount connector, Contacts: 2+PE, unshielded, dip-solder, IP68, UL, VDE
Area	7/8" series 820
Part no.	09 2446 330 03

Assembly instructions / Panel cut-out

Mit Durchgangsbohrung

Mit Gewinde, einschraubbar

alternativ

	A	B	C	D	E
PG11	PG11	20,2	18,7	20,2	17,0
PG13,5	PG13,5	22,0	20,5	22,0	18,8
M20x1,5	M20x1,5	21,6	20,1	21,6	17,8

Product description	7/8" female panel mount connector, Contacts: 2+PE, unshielded, dip-solder, IP68, UL, VDE
Area	7/8" series 820
Part no.	09 2446 330 03

Security notices

The connector must not be plugged or unplugged under load. Non-observance and improper use can result in personal injury.

The connectors have been developed for applications in plant engineering, control and electrical equipment construction. The user is responsible for checking whether the connectors can also be used in other areas of application.

The user must take suitable safety precautions to ensure that the connector cannot be accidentally disconnected.

Plug connectors with enclosure protection IP 67 and IP 68 are not suitable for use under water. When used outdoors, the plug connectors must be protected separately against corrosion. For further information on the IP protection classes, please refer to the "Technical Information" download centre.