

Product data sheet

Automation Technology - Voltage and Power Supply

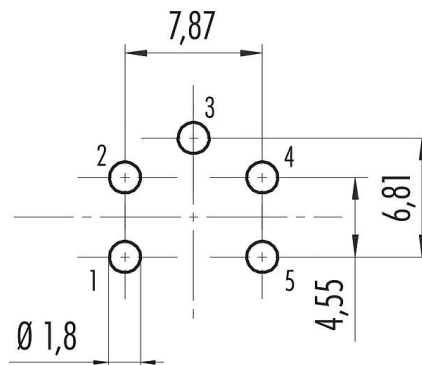


Product description	7/8" Male panel mount connector, Contacts: 4+PE, unshielded, THT, IP68, UL, VDE, front fastened
Area	7/8" series 820
Part no.	09 2451 180 05

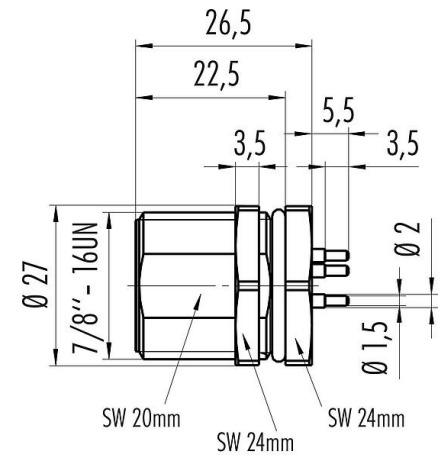
Illustration



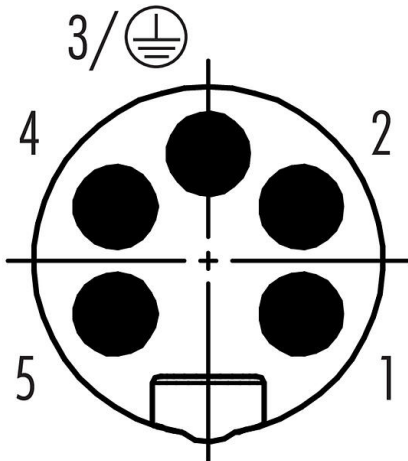
Conductor layout



Scale drawing



Contact arrangement (Plug-in side)



Technical data

General features

Part no.	09 2451 180 05
Connector design	Male panel mount connector
Version	Connector pin straight



Product description	7/8" Male panel mount connector, Contacts: 4+PE, unshielded, THT, IP68, UL, VDE, front fastened
Area	7/8" series 820
Part no.	09 2451 180 05

Connector locking system	screw
Termination	THT
Degree of protection	IP68
Cross-sectional area	0.75 mm ² / AWG 18
Temperature range from/to	-25 °C / 85 °C
Mechanical operation	> 100 Mating cycles
Weight (g)	44.31
Customs tariff number	85369010

Electrical parameters

Rated voltage	300 V (600 V UL)
Rated impulse voltage	4000 V
Rated current (40 °C)	8.0 A
Pollution degree	3
Overvoltage category	III
Insulating material group	I
EMC compliance	unshielded

Material

Housing material	CuZn (Brass nickel plated)
Contact body material	PUR
Contact material	CuZn (brass)
Contact plating	Au (gold)
REACH SVHC	CAS 7439-92-1 (Lead)
SCIP number	ed4e4f8b-8c1c-4c76-8495-104f91c425ac

Authorization/approvals

Approvals	UL, VDE
-----------	---------

Classifications

eCl@ss 11.1	27-44-01-09
ETIM 7.0	EC003569

Product description	7/8" Male panel mount connector, Contacts: 4+PE, unshielded, THT, IP68, UL, VDE, front fastened
Area	7/8" series 820
Part no.	09 2451 180 05

Security notices

The connector must not be plugged or unplugged under load. Non-observance and improper use can result in personal injury.

The connectors have been developed for applications in plant engineering, control and electrical equipment construction. The user is responsible for checking whether the connectors can also be used in other areas of application.

Plug connectors with enclosure protection IP67 and IP68 are not suitable for use under water. When used outdoors, the plug connectors must be protected separately against corrosion. For further information on the IP protection classes, please refer to the "Technical Information" download centre.