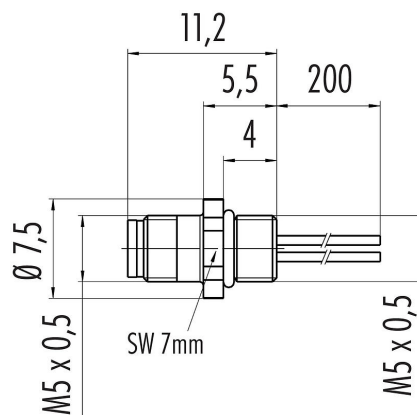


Product description	M5 male panel mount connector, Contacts: 3, unshielded, single wires, IP67
Area	M5 series 707
Part no.	09 3105 00 03

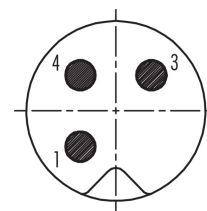
Illustration



Scale drawing



Contact arrangement (Plug-in side)



- 1 brown
- 2 not assembled
- 3 blue
- 4 black

You can find the assembly instructions on the next page.

Technical data

General features

Part no.	09 3105 00 03
Connector design	male panel mount connector
Version	male straight
Connector locking system	screw
Termination	single wires
Degree of protection	IP67
Cross-sectional area	0.14 mm ² / AWG 26
Temperature range from/to	-25 °C / 80 °C
Mechanical operation	> 100 Mating cycles
Weight (g)	2.46
Customs tariff number	85369010

Electrical parameters

Rated voltage	60 V
Rated impulse voltage	800 V
Rated current (40 °C)	1,0 A
Insulation resistance	> 10 ⁸ Ω
Pollution degree	3
Overvoltage category	II
Insulating material group	I

Product description	M5 male panel mount connector, Contacts: 3, unshielded, single wires, IP67
Area	M5 series 707
Part no.	09 3105 00 03

EMC compliance unshielded

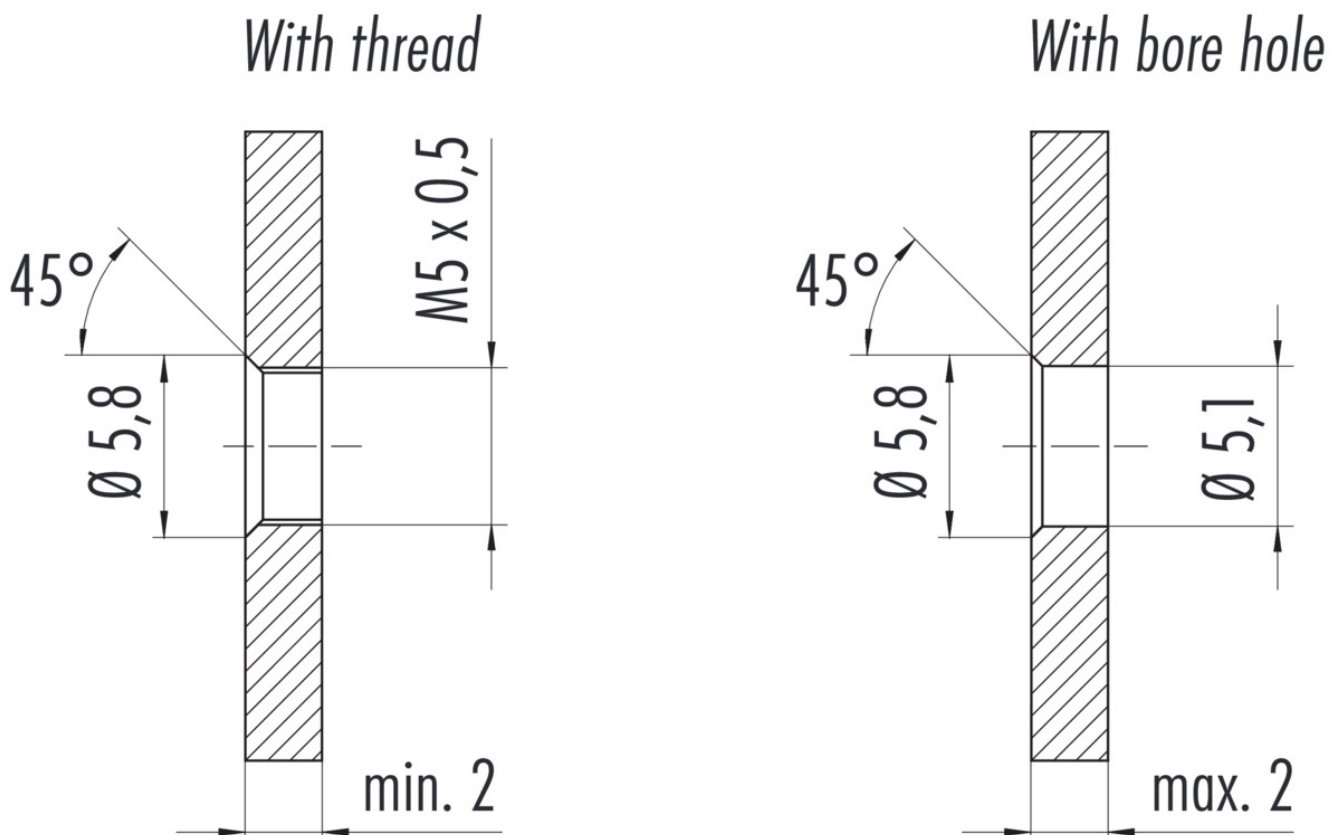
Material

Contact body material	PA
Contact material	CuZn (brass)
Contact plating	Au (gold)
REACH SVHC	CAS 7439-92-1 (Lead)
SCIP number	3257bba6-022c-4895-b3f7-d31ba5e66624

Classifications

eCl@ss 11.1	27-44-01-09
ETIM 7.0	EC003569

Assembly instructions / Panel cut-out



Product description	M5 male panel mount connector, Contacts: 3, unshielded, single wires, IP67
Area	M5 series 707
Part no.	09 3105 00 03

Security notices

The connectors have been developed for applications in plant engineering, control and electrical equipment construction. The user is responsible for checking whether the connectors can also be used in other areas of application.

Plug connectors with enclosure protection IP 67 and IP 68 are not suitable for use under water. When used outdoors, the plug connectors must be protected separately against corrosion. For further information on the IP protection classes, please refer to the "Technical Information" download centre.