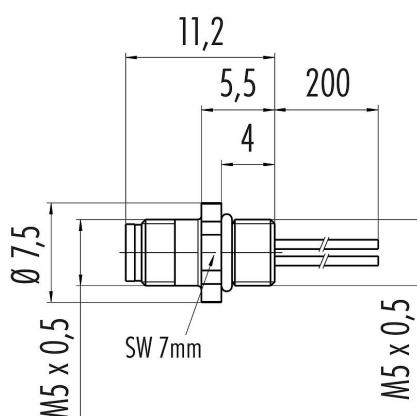


Product description	M5 male panel mount connector, Contacts: 4, unshielded, single wires, IP67
Area	M5 series 707
Part no.	09 3111 00 04

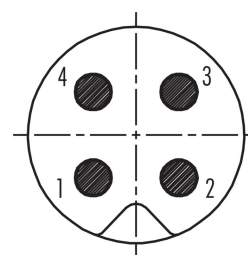
Illustration



Scale drawing



Contact arrangement (Plug-in side)



- 1 brown
- 2 white
- 3 blue
- 4 black

You can find the assembly instructions on the next page.

Technical data

General features

Part no.	09 3111 00 04
Connector design	male panel mount connector
Wire length	0,2 m
Version	male straight
Connector locking system	screw
Termination	single wires
Degree of protection	IP67
Cross-sectional area	0.14 mm ² / AWG 26
Temperature range from/to	-25 °C / 80 °C
Mechanical operation	> 100 Mating cycles
Weight (g)	3.75
Customs tariff number	85369010

Electrical parameters

Rated voltage	60 V
Rated impulse voltage	800 V
Rated current (40 °C)	1,0 A
Insulation resistance	> 10 ⁸ Ω
Pollution degree	3
Overvoltage category	II

Product data sheet

Automation technology - sensors and actuators



Product description	M5 male panel mount connector, Contacts: 4, unshielded, single wires, IP67
Area	M5 series 707
Part no.	09 3111 00 04

Insulating material group	I
EMC compliance	unshielded

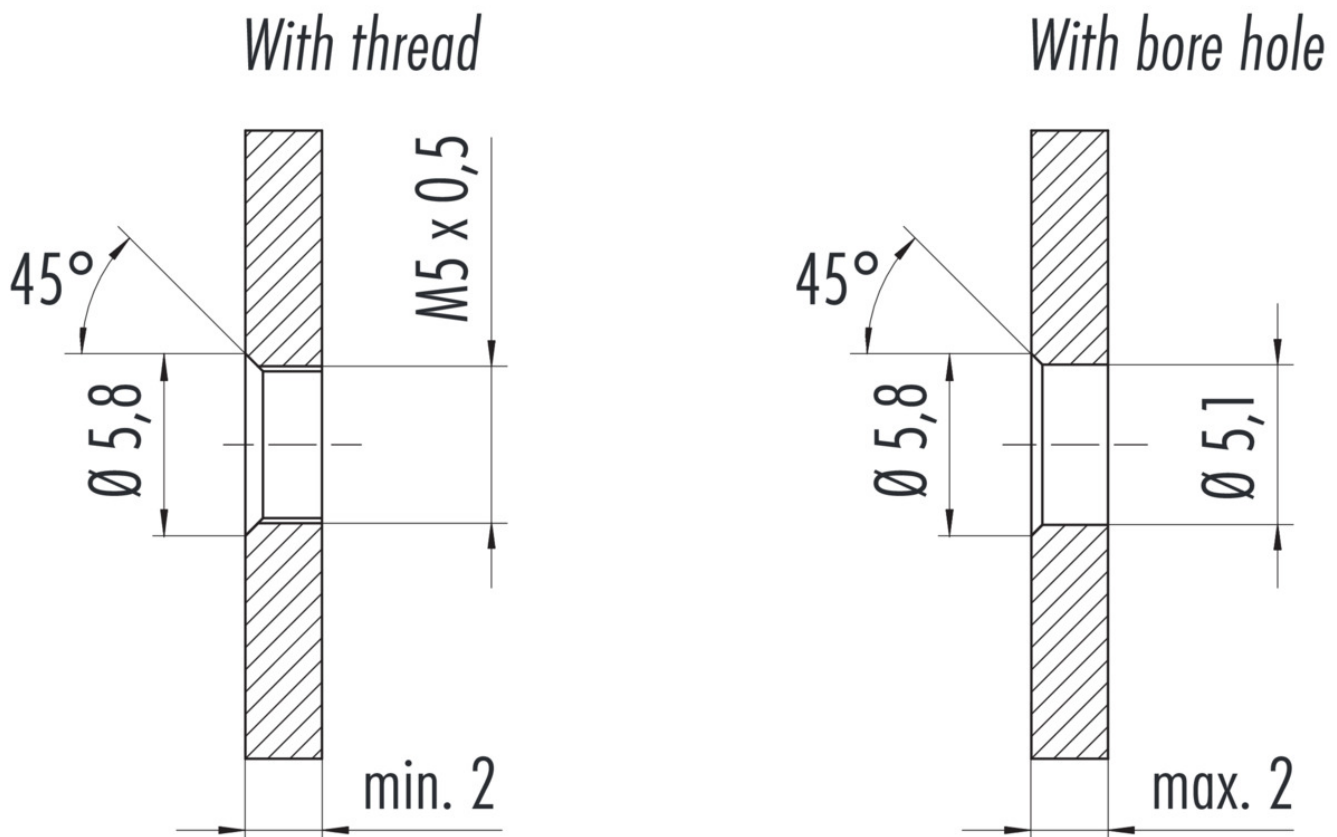
Material

Contact body material	PA
Contact material	CuZn (brass)
Contact plating	Au (gold)
REACH SVHC	CAS 7439-92-1 (Lead)
SCIP number	500107d7-7f55-4c4b-a4cf-26d80fcda3d4

Classifications

eCl@ss 11.1	27-44-01-09
ETIM 7.0	EC003569

Assembly instructions / Panel cut-out



Product description	M5 male panel mount connector, Contacts: 4, unshielded, single wires, IP67
Area	M5 series 707
Part no.	09 3111 00 04

Security notices

The connectors have been developed for applications in plant engineering, control and electrical equipment construction. The user is responsible for checking whether the connectors can also be used in other areas of application.

Plug connectors with enclosure protection IP 67 and IP 68 are not suitable for use under water. When used outdoors, the plug connectors must be protected separately against corrosion. For further information on the IP protection classes, please refer to the "Technical Information" download centre.