

# Product data sheet

## Automation technology - sensors and actuators

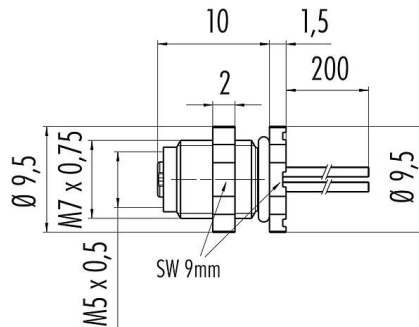


Product description	<b>M5 Female panel mount connector, Contacts: 4, unshielded, single wires, IP67, front fastened</b>
Area	<b>M5 series 707</b>
Part no.	<b>09 3112 86 04</b>

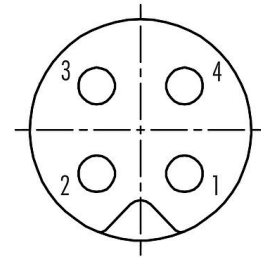
### Illustration



### Scale drawing



### Contact arrangement (Plug-in side)



- 1 brown
- 2 white
- 3 blue
- 4 black

You can find the assembly instructions on the next page.

## Technical data

### General features

Part no.	<b>09 3112 86 04</b>
Connector design	Female panel mount connector
Wire length	0.2 m
Version	Connector socket straight
Connector locking system	screw
Termination	single wires
Degree of protection	IP67
Cross-sectional area	0.14 mm <sup>2</sup> / AWG 26
Temperature range from/to	-25 °C / 80 °C
Mechanical operation	> 100 Mating cycles
Weight (g)	5.34
Customs tariff number	85369010

### Electrical parameters

Rated voltage	60 V
Rated impulse voltage	800 V
Rated current (40 °C)	1.0 A
Insulation resistance	> 10 <sup>8</sup> Ω
Pollution degree	3
Overvoltage category	II
Insulating material group	I
EMC compliance	unshielded

### Material

Contact body material	PA
Contact material	CuSn (bronze)

Product description **M5 Female panel mount connector, Contacts: 4, unshielded, single wires, IP67, front fastened**

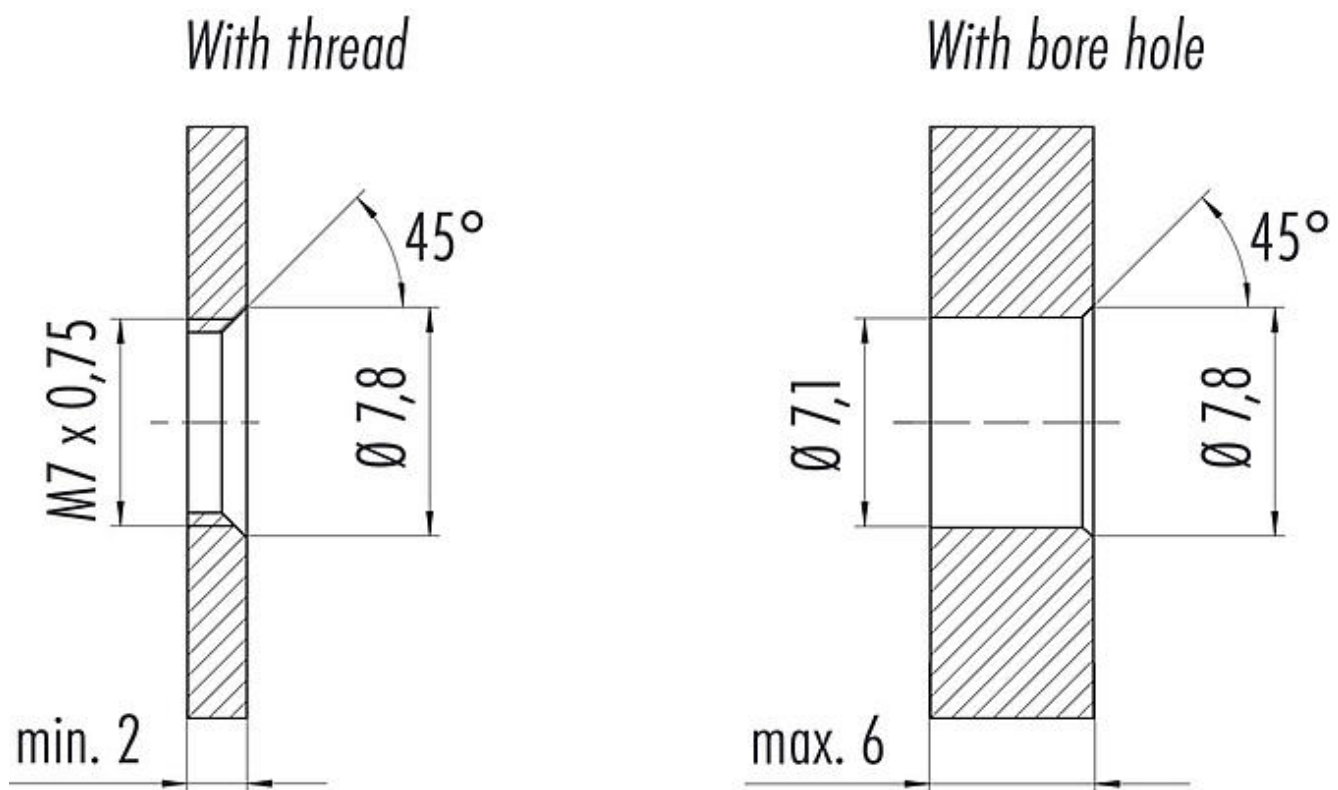
Area **M5 series 707**  
Part no. **09 3112 86 04**

Contact plating	Au (gold)
REACH SVHC	CAS 7439-92-1 (Lead)
SCIP number	86f7e751-004b-477c-a665-7398af013cf9

#### Classifications

eCl@ss 11.1	27-44-01-09
ETIM 7.0	EC003569

#### Assembly instructions / Panel cut-out



Product description	<b>M5 Female panel mount connector, Contacts: 4, unshielded, single wires, IP67, front fastened</b>
Area	<b>M5 series 707</b>
Part no.	<b>09 3112 86 04</b>

### Security notices

The connectors have been developed for applications in plant engineering, control and electrical equipment construction. The user is responsible for checking whether the connectors can also be used in other areas of application.

Plug connectors with enclosure protection IP67 and IP68 are not suitable for use under water. When used outdoors, the plug connectors must be protected separately against corrosion. For further information on the IP protection classes, please refer to the "Technical Information" download centre.