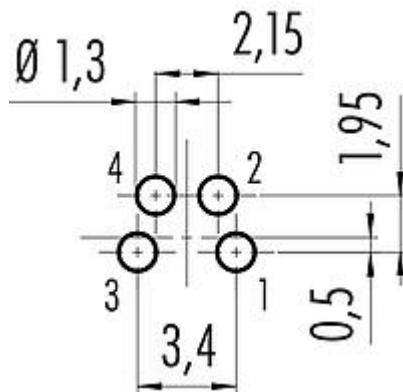


Product description	M8 Female panel mount connector, Contacts: 4, unshielded, THT, IP67, UL, M12x1.0, front mounting
Area	M8 series 718
Part no.	09 3390 80 04

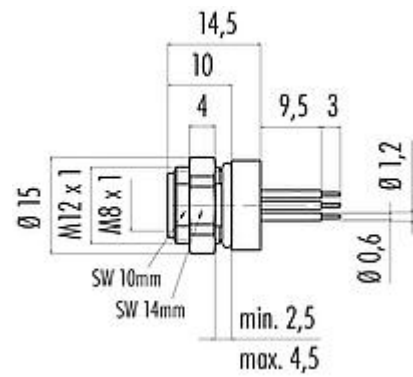
Illustration



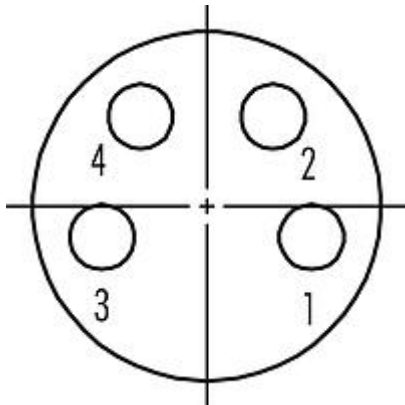
Conductor layout



Scale drawing



Contact arrangement (Plug-in side)



You can find the assembly instructions on the next page.

Technical data

General features

Part no.	09 3390 80 04
Connector design	Female panel mount connector
Version	female straight
Connector locking system	screw
Termination	THT

Product description	M8 Female panel mount connector, Contacts: 4, unshielded, THT, IP67, UL, M12x1.0, front mounting
Area	M8 series 718
Part no.	09 3390 80 04

Degree of protection	IP67
Temperature range from/to	-40 °C / 85 °C
Mechanical operation	> 100 Mating cycles
Weight (g)	12.61
Customs tariff number	85369010

Electrical parameters

Rated voltage	60 V
Rated impulse voltage	1500 V
Rated current (40 °C)	4,0 A
Pollution degree	3
Overvoltage category	II
Insulating material group	II
EMC compliance	unshielded

Material

Housing material	CuZn (Brass nickel plated)
Contact body material	PA black
Contact material	CuSn (bronze)
Contact plating	Au (gold)
Contact length	9.5 mm
REACH SVHC	CAS 7439-92-1 (Lead)
SCIP number	a006fd1d-4add-49b3-88ec-3da7d11bf479

Authorization/approvals

Approvals	UL
-----------	----

Classifications

eCl@ss 11.1	27-44-01-09
ETIM 7.0	EC003569

Product data sheet

Automation technology - sensors and actuators



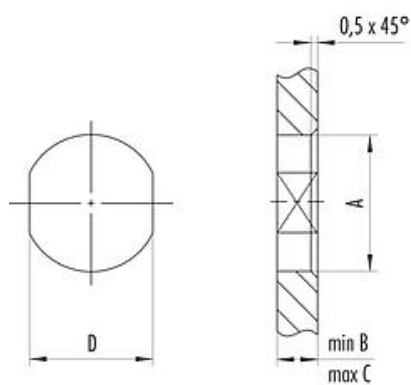
Product description **M8 Female panel mount connector, Contacts: 4, unshielded, THT, IP67, UL, M12x1.0, front mounting**

Area **M8 series 718**
Part no. **09 3390 80 04**

Assembly instructions / Panel cut-out

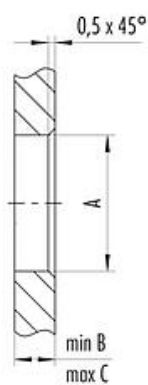
1st Installation proposal

With flats as anti-rotation device



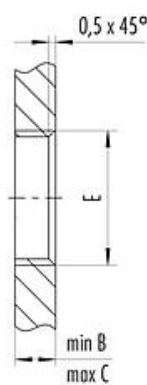
2nd Installation proposal

With bore hole



3rd Installation proposal

With thread to screw in



thread E	A	B	C	D
M8 x 1	8,1	2,0	3,5	7,1
M10 x 0,75	10,1	2,0	6,5	9,1
M12 x 1	12,1	2,5	4,5	10,0

Tightening torque 1 Nm

Product description	M8 Female panel mount connector, Contacts: 4, unshielded, THT, IP67, UL, M12x1.0, front mounting
Area	M8 series 718
Part no.	09 3390 80 04

Security notices

The connectors have been developed for applications in plant engineering, control and electrical equipment construction. The user is responsible for checking whether the connectors can also be used in other areas of application.

Plug connectors with enclosure protection IP67 and IP68 are not suitable for use under water. When used outdoors, the plug connectors must be protected separately against corrosion. For further information on the IP protection classes, please refer to the "Technical Information" download centre.