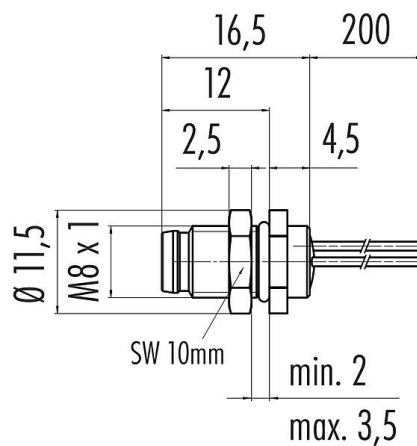


Product description	M8 Male panel mount connector, Contacts: 3, unshielded, single wires, IP67, PUR, front fastened
Area	M8 series 718
Part no.	09 3403 86 03

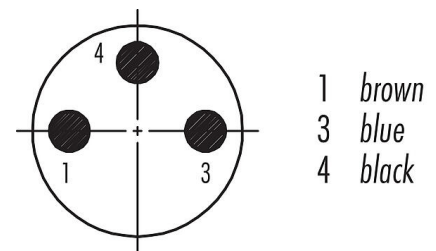
Illustration



Scale drawing



Contact arrangement (Plug-in side)



You can find the assembly instructions on the next page.

Technical data

General features

Part no.	09 3403 86 03
Connector design	Male panel mount connector
Wire length	0.2 m
Version	Connector pin straight
Connector locking system	snap-in, screw
Termination	single wires
Degree of protection	IP67
Cross-sectional area	0.34 mm ² / AWG 24
Temperature range from/to	-25 °C / 85 °C
Mechanical operation	> 100 Mating cycles
Weight (g)	6.436
Customs tariff number	85369010

Electrical parameters

Rated voltage	60 V
Rated impulse voltage	1500 V
Rated current (40 °C)	4.0 A
Pollution degree	3
Overvoltage category	II
Insulating material group	II
EMC compliance	unshielded

Product data sheet

Automation technology - sensors and actuators



Product description	M8 Male panel mount connector, Contacts: 3, unshielded, single wires, IP67, PUR, front fastened
Area	M8 series 718
Part no.	09 3403 86 03

Material

Housing material	CuZn (Brass nickel plated)
Contact body material	PUR black
Contact material	CuZn (brass) / CuSn (bronze)
Contact plating	Au (gold)
Locking material	Zinc die-cast nickel-plated
REACH SVHC	CAS 7439-92-1 (Lead)
SCIP number	172c271b-ef62-411b-ac58-a7b06c3b6512

Classifications

eCl@ss 11.1	27-44-01-03
ETIM 7.0	EC003570

Cable data - Structure of the cable

Cable diameter	4.7 mm
Sheath material	PUR
Single-lead insulation	PP9Y halogen-free
Single-lead structure	43 x 0.10 mm

Cable data - Mechanical properties

Bending radius, fixed cable	$\geq 5 \times \varnothing$
Bending radius, moving cable	$\geq 10 \times \varnothing$
Bending cycles	> 5 million
Permitted acceleration	$\geq 5 \text{ m/s}^2$
Travel speed	$\leq 200 \text{ m/min}$

Cable data - Thermal properties

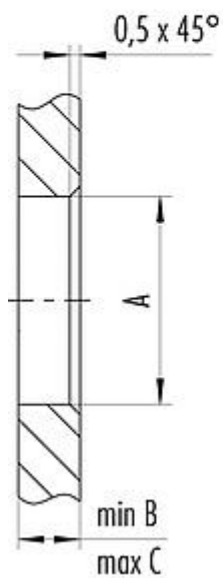
Temperature range cable in move from/to	-25 °C / 80 °C
Temperature range cable fixed from/to	-50 °C / 80 °C

Product description **M8 Male panel mount connector, Contacts: 3, unshielded, single wires, IP67, PUR, front fastened**
 Area **M8 series 718**
 Part no. **09 3403 86 03**

Assembly instructions / Panel cut-out

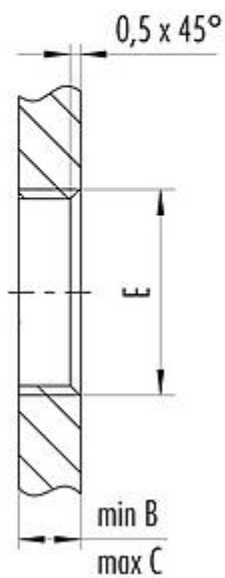
1st Installation proposal

With bore hole



2nd Installation proposal

With thread to screw in



thread E	A	B	C	D
M8 x 1	8,1	2,0	3,5	7,1
M10 x 0,75	10,1	2,0	6,5	9,1
M12 x 1	12,1	2,5	4,5	10,0

Tightening torque 1 Nm

Product description	M8 Male panel mount connector, Contacts: 3, unshielded, single wires, IP67, PUR, front fastened
Area	M8 series 718
Part no.	09 3403 86 03

Security notices

The connectors have been developed for applications in plant engineering, control and electrical equipment construction. The user is responsible for checking whether the connectors can also be used in other areas of application.

Plug connectors with enclosure protection IP67 and IP68 are not suitable for use under water. When used outdoors, the plug connectors must be protected separately against corrosion. For further information on the IP protection classes, please refer to the "Technical Information" download centre.