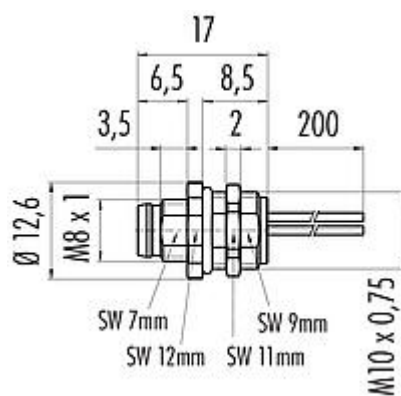


Product description	M8 Male panel mount connector, Contacts: 6, unshielded, single wires, IP67, M10x0.75
Area	M8 series 718
Part no.	09 3423 00 06

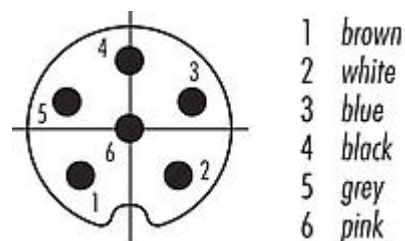
### Illustration



### Scale drawing



### Contact arrangement (Plug-in side)



You can find the assembly instructions on the next page.

## Technical data

### General features

Part no.	09 3423 00 06
Connector design	Male panel mount connector
Wire length	0,2 m
Version	male straight
Connector locking system	screw
Termination	single wires
Degree of protection	IP67
Cross-sectional area	0.14 mm <sup>2</sup> / AWG 26
Temperature range from/to	-40 °C / 85 °C
Mechanical operation	> 100 Mating cycles
Weight (g)	7.453
Customs tariff number	85369010

### Electrical parameters

Rated voltage	30 V
Rated impulse voltage	800 V
Rated current (40 °C)	1,5 A
Pollution degree	3
Overvoltage category	II
Insulating material group	II

# Product data sheet

## Automation technology - sensors and actuators



Product description	M8 Male panel mount connector, Contacts: 6, unshielded, single wires, IP67, M10x0.75
Area	M8 series 718
Part no.	09 3423 00 06

EMC compliance	unshielded
----------------	------------

### Material

Housing material	Zinc die-cast nickel-plated
Contact body material	PA black
Contact material	CuZn (brass)
Contact plating	Au (gold)
REACH SVHC	CAS 7439-92-1 (Lead)
SCIP number	2ca11c6a-6a55-47cc-b770-94f3e5892213

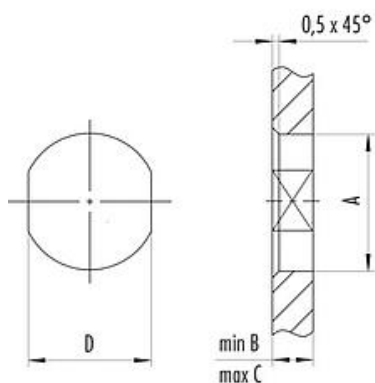
### Classifications

eCl@ss 11.1	27-44-01-03
ETIM 7.0	EC003570

### Assembly instructions / Panel cut-out

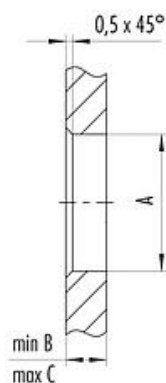
#### 1. Einbauvorschlag

Mit Fläche als Verdrehschutz



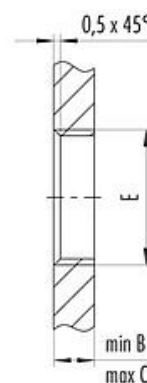
#### 2. Einbauvorschlag

Mit Durchgangsbohrung



#### 3. Einbauvorschlag

Mit Gewinde, einschraubbar



Gewinde E	A	B	C	D
M8 x 0,5	8,1	2,5	3,5	7,1
M8 x 1	8,1	2,5	3,5	7,1
M10 x 0,75	10,1	2,5	5,0	9,1

Anzugsdrehmoment 1 Nm

Product description	<b>M8 Male panel mount connector, Contacts: 6, unshielded, single wires, IP67, M10x0.75</b>
Area	<b>M8 series 718</b>
Part no.	<b>09 3423 00 06</b>

### **Security notices**

The connectors have been developed for applications in plant engineering, control and electrical equipment construction. The user is responsible for checking whether the connectors can also be used in other areas of application.

Plug connectors with enclosure protection IP67 and IP68 are not suitable for use under water. When used outdoors, the plug connectors must be protected separately against corrosion. For further information on the IP protection classes, please refer to the "Technical Information" download centre.