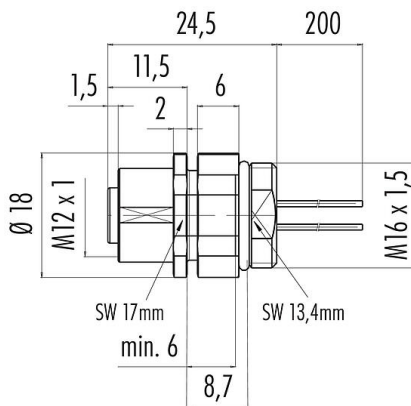


| | |
|---------------------|---|
| Product description | M12-A Female panel mount connector, Contacts: 4, unshielded, single wires, IP68/IP69K, M16x1.5 |
| Area | M12-A series 763 |
| Part no. | 09 3432 722 04 |

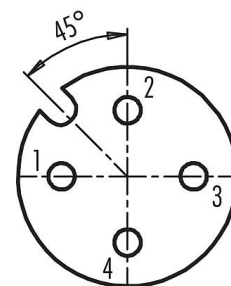
Illustration



Scale drawing



Contact arrangement (Plug-in side)



- 1 brown
- 2 white
- 3 blue
- 4 black

You can find the assembly instructions on the next page.

Technical data

General features

| | |
|---------------------------|-------------------------------|
| Part no. | 09 3432 722 04 |
| Connector design | Female panel mount connector |
| Wire length | 0.2 m |
| Version | Connector socket straight |
| Connector locking system | screw |
| Termination | single wires |
| Degree of protection | IP68/IP69K |
| Cross-sectional area | 0.25 mm ² / AWG 24 |
| Temperature range from/to | -40 °C / 85 °C |
| Mechanical operation | > 100 Mating cycles |
| Weight (g) | 16.73 |
| Customs tariff number | 85369010 |

Electrical parameters

| | |
|---------------------------|---------------------|
| Rated voltage | 250 V |
| Rated impulse voltage | 2500 V |
| Rated current (40 °C) | 4.0 A |
| Insulation resistance | > 10 ⁸ Ω |
| Pollution degree | 3 |
| Overvoltage category | II |
| Insulating material group | III |
| EMC compliance | unshielded |

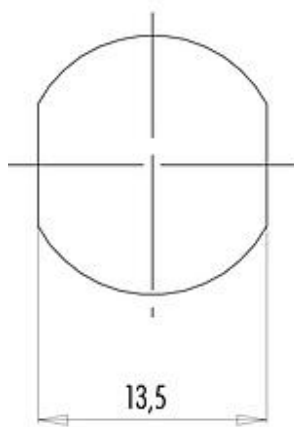
Product description **M12-A Female panel mount connector, Contacts: 4, unshielded, single wires, IP68/IP69K, M16x1.5**
Area **M12-A series 763**
Part no. **09 3432 722 04**

Material

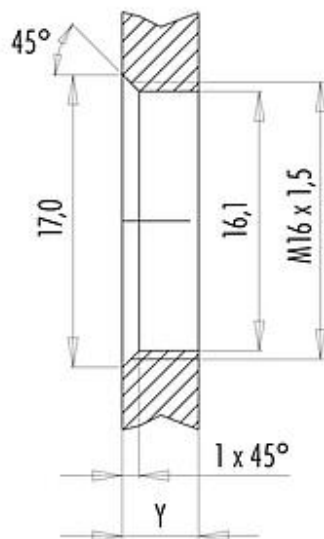
| | |
|-----------------------|--------------------------------------|
| Housing material | Zinc die-cast nickel-plated |
| Contact body material | PA black |
| Contact material | CuSn (bronze) |
| Contact plating | Au (gold) |
| REACH SVHC | CAS 7439-92-1 (Lead) |
| SCIP number | aeccba4a-2385-4de7-80b9-ff3a00e28730 |

Assembly instructions / Panel cut-out

With flats as anti-rotation device



With bore hole



Installation direction: o-ring sits on chamfer.

Tightening moment

Metall housing/Plastic housing **1,25 Nm**

| Thickness of wall Y (mm) | | |
|------------------------------------|------------------------------------|----------|
| Version | min (mm) | max (mm) |
| Fastened from rear | 2 | 3,5 |
| Front fastened | 2 | 4,5 |
| positioning possible ¹⁾ | 2 | 3,5 |
| Screw clamp | 2 | 3,5 |
| Thread M12 x 1 | 2 | 3,0 |
| Thread M14 x 1 ²⁾ | ³⁾ 1,5/ ⁴⁾ 2 | 6,5 |

Notes

- ¹⁾ Do not attach a chamfer
- ²⁾ Wall thickness:
use nut 38 5385 100 001 up to 1,5 mm,
>1,5 mm cut thread
- ³⁾ Nut
- ⁴⁾ Thread in wall of housing

| | |
|---------------------|---|
| Product description | M12-A Female panel mount connector, Contacts: 4, unshielded, single wires, IP68/IP69K, M16x1.5 |
| Area | M12-A series 763 |
| Part no. | 09 3432 722 04 |

Security notices

The connector must not be plugged or unplugged under load. Non-observance and improper use can result in personal injury.

The connectors have been developed for applications in plant engineering, control and electrical equipment construction. The user is responsible for checking whether the connectors can also be used in other areas of application.

The user must take suitable safety precautions to ensure that the connector cannot be accidentally disconnected.

Plug connectors with enclosure protection IP67 and IP68 are not suitable for use under water. For further information on the IP protection classes, please refer to the "Technical Information" download centre.