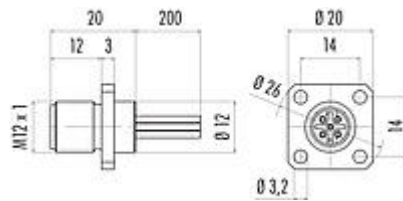


Product description	M12-A Square male panel mount connector, Contacts: 5, unshielded, single wires, IP40, Square
Area	M12-A series 763
Part no.	09 3443 00 05

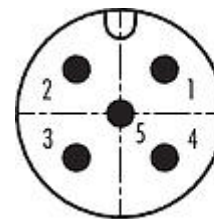
Illustration



Scale drawing



Contact arrangement (Plug-in side)



- 1 brown
- 2 white
- 3 blue
- 4 black
- 5 grey

You can find the assembly instructions on the next page.

Technical data

General features

Part no.	09 3443 00 05
Connector design	Square male panel mount connector
Wire length	0,2 m
Version	male straight
Connector locking system	screw
Termination	single wires
Degree of protection	IP40 IP67 with seal, see accessories
Cross-sectional area	0.25 mm ² / AWG 24
Temperature range from/to	-40 °C / 85 °C
Mechanical operation	> 100 Mating cycles
Weight (g)	16.50
Customs tariff number	85369010

Electrical parameters

Rated voltage	60 V
Rated impulse voltage	1500 V
Rated current (40 °C)	4 A (3 A UL)
Insulation resistance	> 10 ⁸ Ω
Pollution degree	3
Overvoltage category	II
Insulating material group	III
EMC compliance	unshielded

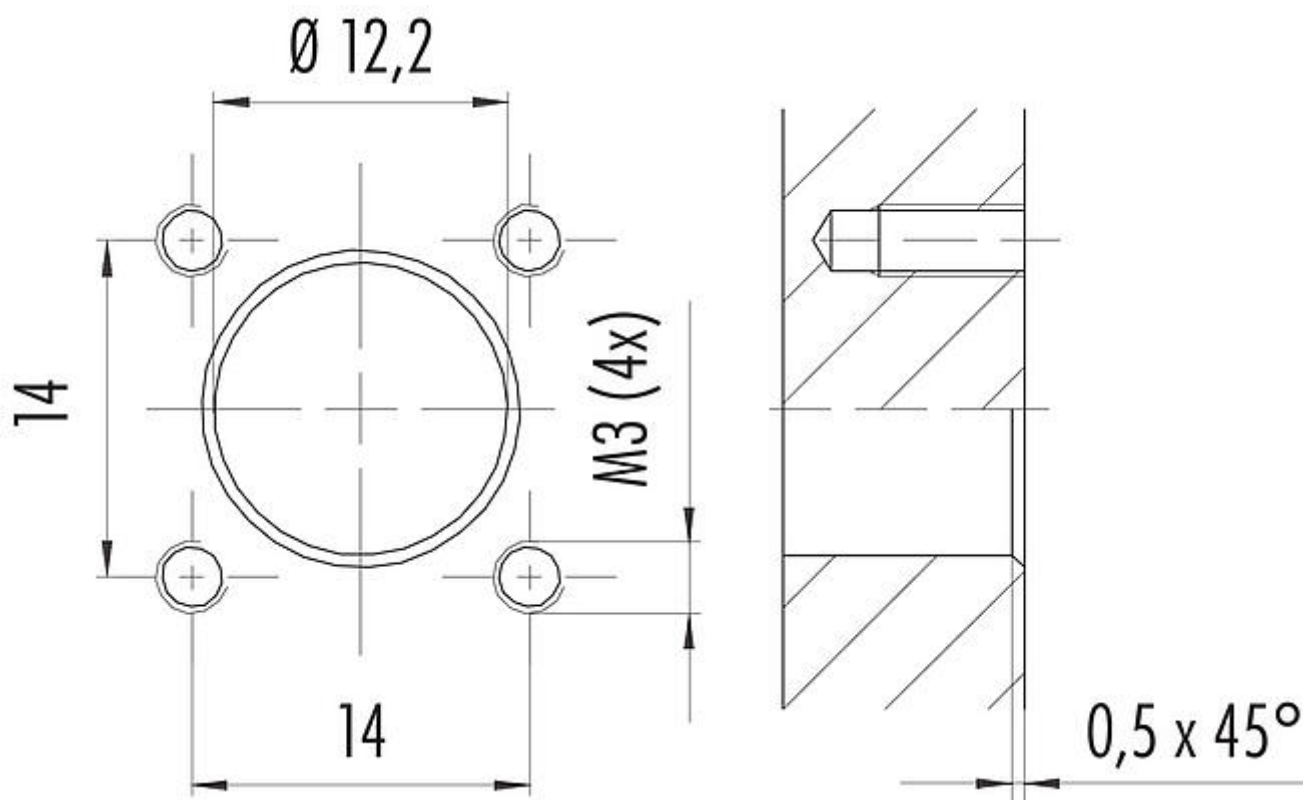
Product description M12-A Square male panel mount connector, Contacts: 5, unshielded, single wires, IP40, Square

Area M12-A series 763
Part no. 09 3443 00 05

Material

Housing material	CuZn (Brass nickel plated)
Contact body material	PA black
Contact material	CuZn (brass)
Contact plating	Au (gold)
REACH SVHC	CAS 7439-92-1 (Lead)
SCIP number	b670e5c3-21d5-40e5-bab5-d9537ffa9

Assembly instructions / Panel cut-out



Product description	M12-A Square male panel mount connector, Contacts: 5, unshielded, single wires, IP40, Square
Area	M12-A series 763
Part no.	09 3443 00 05

Security notices

The connector must not be plugged or unplugged under load. Non-observance and improper use can result in personal injury.

The connectors have been developed for applications in plant engineering, control and electrical equipment construction. The user is responsible for checking whether the connectors can also be used in other areas of application.

The protection class specification applies on condition that the four mounting holes are made as blind holes.

The user must take suitable safety precautions to ensure that the connector cannot be accidentally disconnected.