

Product description	M12-D Female panel mount connector, Contacts: 4, unshielded, THT, IP67, UL, PG 9, front mounting
Area	M12-D series 876
Part no.	09 3732 90 04

EMC compliance	unshielded
----------------	------------

Material

Housing material	Zinc die-cast nickel-plated
Contact body material	PA (UL94 V-0)
Contact material	CuZn (brass)
Contact plating	Au (gold)
Locking material	CuZn (brass)
REACH SVHC	CAS 7439-92-1 (Lead)
SCIP number	6f9a8672-57a2-4c24-bae3-71ccb592942b

Authorization/approvals

Approvals	UL
-----------	----

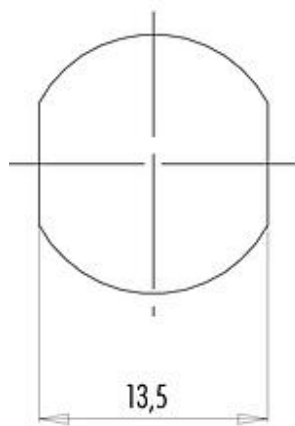
Classifications

eCl@ss 11.1	27-44-01-09
ETIM 7.0	EC003569

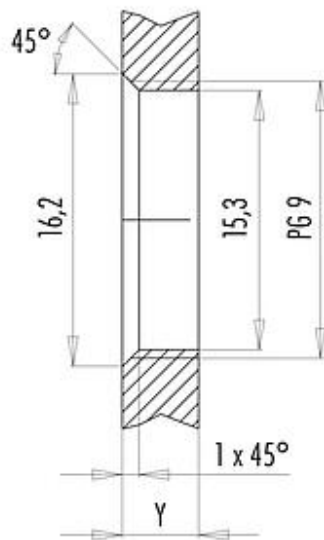
Product description	M12-D Female panel mount connector, Contacts: 4, unshielded, THT, IP67, UL, PG 9, front mounting
Area	M12-D series 876
Part no.	09 3732 90 04

Assembly instructions / Panel cut-out

With flats as anti-rotation device



With bore hole



Installation direction: o-ring sits on chamfer.

Tightening moment

Metall housing/Plastic housing 1,25 Nm

Thickness of wall Y (mm)		
Version	min (mm)	max (mm)
Fastened from rear	2	3,5
Front fastened	2	4,5
positioning possible ¹⁾	2	3,5
Screw clamp	2	3,5
Thread M12 x 1	2	3,0
Thread M14 x 1 ²⁾	³⁾ 1,5/ ⁴⁾ 2	6,5

Notes

- ¹⁾ Do not attach a chamfer
- ²⁾ Wall thickness:
use locknut 01-5385 up to 1,5 mm,
>1,5 mm cut thread
- ³⁾ Nut
- ⁴⁾ Thread in wall of housing

Product description	M12-D Female panel mount connector, Contacts: 4, unshielded, THT, IP67, UL, PG 9, front mounting
Area	M12-D series 876
Part no.	09 3732 90 04

Security notices

The connector must not be plugged or unplugged under load. Non-observance and improper use can result in personal injury.

The connectors have been developed for applications in plant engineering, control and electrical equipment construction. The user is responsible for checking whether the connectors can also be used in other areas of application.

Plug connectors with enclosure protection IP67 and IP68 are not suitable for use under water. When used outdoors, the plug connectors must be protected separately against corrosion. For further information on the IP protection classes, please refer to the "Technical Information" download centre.