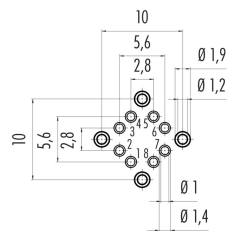


Product description	M12-X female panel mount connector, Contacts: 8, shieldable, dip-solder, IP67, UL, M16x1.5
Area	M12-X series 876
Part no.	09 3782 95 08

Illustration

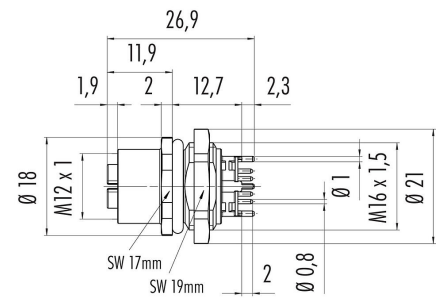


Conductor layout



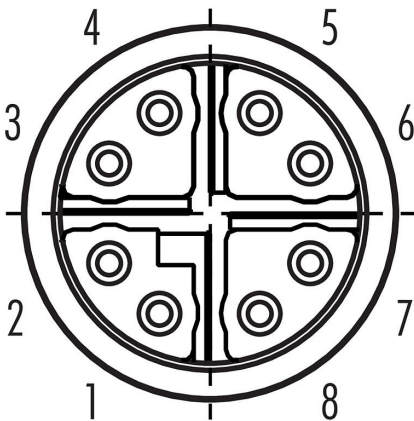
View of mating side  
Thickness of PCB: 1,55 mm  
All holes fully contacted

Scale drawing



Sechskantmutter lose beigelegt

Contact arrangement (Plug-in side)



You can find the component part drawing and assembly instructions on the next page.

Technical data

General features

Part no.	09 3782 95 08
Connector design	female panel mount connector
Version	connector female straight
Connector locking system	screw
Termination	dip-solder
Degree of protection	IP67

Product description	M12-X female panel mount connector, Contacts: 8, shieldable, dip-solder, IP67, UL, M16x1.5
Area	M12-X series 876
Part no.	09 3782 95 08

Temperature range from/to	-40 °C / 85 °C
Mechanical operation	> 100 Mating cycles
Weight (g)	14.42
Customs tariff number	85369010

Electrical parameters

Rated voltage	50 V AC / 60 V DC
Rated current (40 °C)	0.5 A
Insulation resistance	> 10 <sup>8</sup> Ω
Pollution degree	3
Transmission rate	CAT 6A
Overvoltage category	II
Insulating material group	III
EMC compliance	shieldable
Shield connection	Shield pin

Material

Housing material	Zinc die-cast nickel-plated
Contact body material	PA
Contact material	CuSn (bronze)
Contact plating	Au (gold)
Locking material	CuZn (Brass nickel plated)
REACH SVHC	CAS 7439-92-1 (Lead)
SCIP number	e0966dc0-2cf9-431c-a20a-4c2bd0e817b4

Authorization/approvals

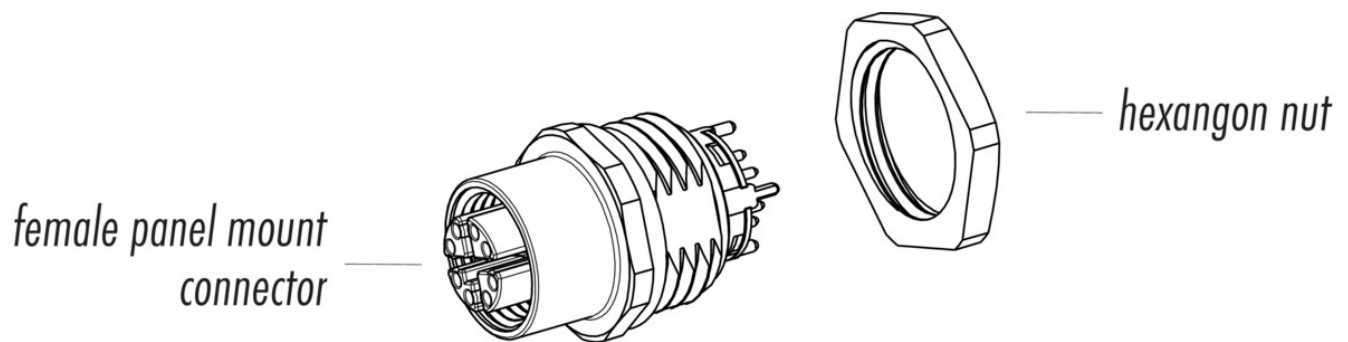
Approvals	UL
-----------	----

Classifications

eCl@ss 11.1	27-44-01-09
ETIM 7.0	EC003569

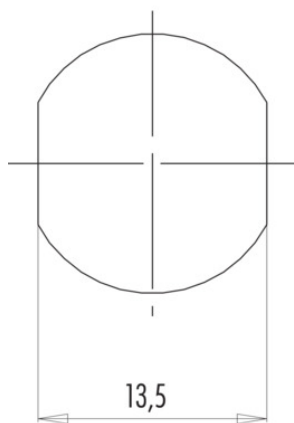
Product description	M12-X female panel mount connector, Contacts: 8, shieldable, dip-solder, IP67, UL, M16x1.5
Area	M12-X series 876
Part no.	09 3782 95 08

Component part drawing

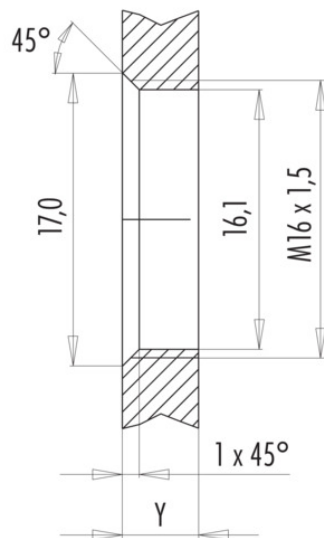


Assembly instructions / Panel cut-out

With flats as anti-rotation device



With bore hole



Installation direction: o-ring sits on chamfer.

Tightening moment

Metall housing/Plastic housing 1,25 Nm

Thickness of wall Y (mm)		
Version	min (mm)	max (mm)
Fastened from rear	2	3,5
Front fastened	2	4,5
positioning possible <sup>1)</sup>	2	3,5
Screw clamp	2	3,5
Thread M12 x 1	2	3,0
Thread M14 x 1 <sup>2)</sup>	<sup>3)</sup> 1,5/ <sup>4)</sup> 2	6,5

Notes

- <sup>1)</sup> Do not attach a chamfer
- <sup>2)</sup> Wall thickness:  
use locknut 01-5385 up to 1,5 mm,  
>1,5 mm cut thread
- <sup>3)</sup> Nut
- <sup>4)</sup> Thread in wall of housing

Product description	<b>M12-X female panel mount connector, Contacts: 8, shieldable, dip-solder, IP67, UL, M16x1.5</b>
Area	<b>M12-X series 876</b>
Part no.	<b>09 3782 95 08</b>

### Security notices

The connectors have been developed for applications in plant engineering, control and electrical equipment construction. The user is responsible for checking whether the connectors can also be used in other areas of application.

Plug connectors with enclosure protection IP 67 and IP 68 are not suitable for use under water. When used outdoors, the plug connectors must be protected separately against corrosion. For further information on the IP protection classes, please refer to the "Technical Information" download centre.

To lock the cable connector with the device connector, the threaded ring is tightened "hand-tight" (approx. 60 cNm).